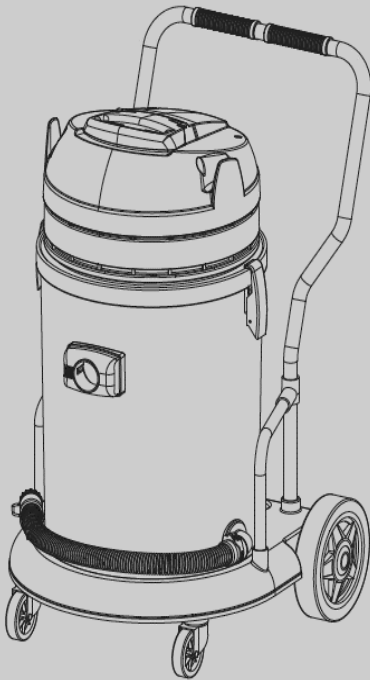




V-WD-62

Wet/Dry Vacuum

Parts Manual



Model Part No.:

1244335 V-WD-62 [220-240V EU]
1244336 V-WD-62 [220-240V UK]
1244338 V-WD-62 [220-240V ANZ]
1244337 V-WD-62 [220-240V CN]
1244339 V-WD-62 [100V JP]

TennantTrue® Parts

Walo Hygiëne en Reinigingssystemen B.V.
0187-605374
welkom@walo.nl
www.walo.nl



9018763
Rev. 01 (07-2019)

Only use TENNANT Company supplied or equivalent parts.
Parts and supplies may be ordered online, by phone or from any Tennant or Nobles
Authorized Service Center or Distributor.

Before Ordering any parts or supplies, be sure to have the machine model number and
serial number available.

Walo Hygiëne en Reinigingssystemen B.V.
0187-605374
welkom@walo.nl
www.walo.nl



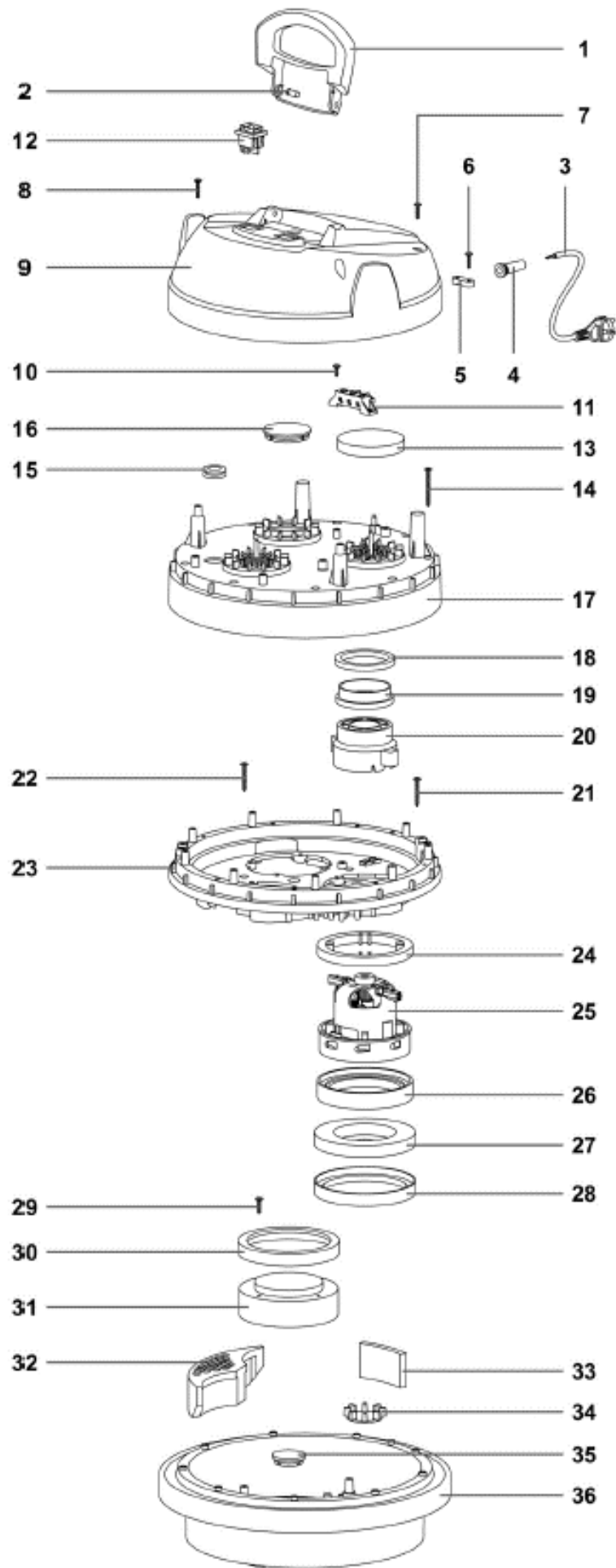
TABLE OF CONTENTS

HEAD ASSEMBLY (EU/UK/CN/ANZ 220-240V MODELS)	4
HEAD ASSEMBLY (JAPAN 100V MODEL)	8
MAIN FILTER ASSEMBLY	10
TANK ASSEMBLY	11
LABEL KIT	11
DRAIN HOSE ASSEMBLY	12
TROLLEY ASSEMBLY	13
ACCESSORY TOOLS	14
VACUUM BAGS AND FILTERS	14
ELECTRICAL DIAGRAM	15

RECOMMENDED SPARE PARTS LIST

VACUUM BAGS AND FILTERS	
KTRIO2912	BAG, VACUUM, PAPER [1 PKG = 10 BAGS]
KTRIO5851	BAG, VACUUM, MICROFIBER [1 PKG=10 BAGS]
KTRIO5840	FILTER KIT, VACUUM
KTRIO5846	FILTER KIT, VACUUM, PRE-FILTER
CLEANING TOOL ACCESSORIES	
KTRIO5804	HANDLE, VACUUM HOSE W/ REG, 38 MM
KTRIO5803	HOSE ASSY, VACUUM
KTRIO5786	WAND SET, VACUUM, TWO-PIECE 38 MM
KTRIO5608	TOOL KIT, VACUUM. 38 MM [CREVICE TOOL, ROUND BRUSH TOOL AND ADAPTOR]
1064519	TOOL, FLOOR, DRY
1064520	TOOL, FLOOR, WET
KTRIO5937	TOOL, HOLDER
OPTIONAL HEPA FILTER	
KTRIO5808	FILTER KIT, CATRIDGE, HEPA W/RING & GASKET
KTRIO5801	FILTER, CARTRIDGE, HEPA
KTRIO5839	RING, FASTENER, PLASTIC
GENERAL MAINTENANCE PARTS	
KTRIO5736	WHEEL KIT, CART
1021755	GRIP, TROLLEY HANDLE [QTY 2]
KTRIO5927	CLIP, DRAIN HOSE
KTRIO2728	CLIP KIT, HANDLE, WAND
KTRIO5660	HOSE KIT, DRAIN
KTRIO5710	FITTING KIT, DRAIN HOSE
KTRIO5678	LATCH KIT, VACUUM [QTY 2]
KTRIO5850	FLOAT KIT, BASKET
KTRIO5674	CORD KIT, POWER 220-240VC [EU]
KTRIO5683	CORD KIT, POWER, 220-240V [UK]
KTRIO5695	CORD KIT, POWER, 220-240V [ANZ]
KTRIO5706	CORD KIT, POWER, 220-240V [CN]
KTRIO5696	CORD KIT, POWER, 100V [JP]
1021709	SWITCH, RED LIGHT [220-240V MODEL]
1021646	SWITCH, ON/OFF [100V MODEL]
KTRIO5700	MOTOR KIT, VACUUM, 220-240V
KTRIO5704	MOTOR KIT, VACUUM, 100V
KTRIO5701	GASKET KIT, MOTOR 220-240V
KTRIO5712	GASKET KIT, MOTOR 100V

HEAD ASSEMBLY (EU/UK/CN/ANZ 220-240V MODELS)



HEAD ASSEMBLY (EU/UK/CN/ANZ 220-240V MODELS)

Code	Part No.	Description	QTY
▽	KTRIO5730	HOUSING ASSY, POWER, HEAD [V-WD-62 EU]	1
▽	KTRIO5731	HOUSING ASSY, POWER, HEAD [V-WD-62 UK]	1
▽	KTRIO5732	HOUSING ASSY, POWER, HEAD [V-WD-62 CN]	1
▽	KTRIO5733	HOUSING ASSY, POWER, HEAD [V-WD-62 ANZ]	1
▲ ▽	KTRIO5697	COVER KIT, VACUUM, TEAL [V-WD-62]	1
▲ ▲	1 N/A	HANDLE VEGAS GRIGIO 5500	1
▲ ▲	2 N/A	HANDLE PIN VEGAS	2
▲ ▲	7 1021628	SCREW PFU TMT PHL 5X20 BLACK	2
▲ ▲	8 N/A	SCREW PFU TMT PHL 5X25 ZN BLACK	2
▲ ▲	9 N/A	COVER VEGAS 600 BL-TEN 2INT	1
▲ ▽	KTRIO5674	CORD KIT, POWER 220-240VAC [EU]	1
▲ ▲	3 N/A	ELECTRIC CORD 2X1 MT.8,5	1
▲ ▲	4 1021625	LEAD	1
▲ ▲	5 1021626	BLOCK, STRAINRELIEF	1
▲ ▲	6 1021628	SCREW PFU TMT PHL 5X20 BLACK	1
▲ ▽	KTRIO5683	CORD KIT, POWER, 220-240VAV [UK]	1
▲ ▲	3 N/A	ELECTRIC CORD 2X1 MT.8,5 CINA	1
▲ ▲	4 1021625	LEAD	1
▲ ▲	5 1021626	BLOCK, STRAINRELIEF	1
▲ ▲	6 1021628	SCREW PFU TMT PHL 5X20 BLACK	1
▲ ▽	KTRIO5706	CORD KIT, POWER, 220V-240VAC [CN]	1
▲ ▲	3 N/A	ELECTRIC CORD 2X1,5 MT.8,5 SP 16A CINA	1
▲ ▲	4 1021625	LEAD	1
▲ ▲	5 1021626	BLOCK, STRAINRELIEF	1
▲ ▲	6 1021628	SCREW PFU TMT PHL 5X20 BLACK	1
▲ ▽	KTRIO5695	CORD KIT, POWER, 220-240VAC [ANZ]	1
▲ ▲	3 N/A	ELECTRIC CORD 2X1 MT.8,5 AUS	1
▲ ▲	4 1021625	LEAD	1
▲ ▲	5 1021626	BLOCK, STRAINRELIEF	1
▲ ▲	6 1021628	SCREW PFU TMT PHL 5X20 BLACK	1
▲ ▽	KTRIO5698	TERMINAL KIT, W/WIRES [220-240VAC Model]	1
▲ ▲	10 1021706	SCREW PAT TMT PHL 5X14 ZN BLACK	2
▲ ▲	11 1021707	TERMINAL BOARD 400-600 2P 2MOT(includes wires)	1
▲	12 1021709	SWITCH, RED LIGHT [220-240VAC MODEL]	2
▲	13 1021647	FILTER MTP/65 H=15 D.95	2
▲	14 1021710	SCREW PAT TMT PHL 5X55 BLACK	9
▲	15 1021711	GROMMET	1
▲	16 1021712	PLUG, COVER	1
▲	17 1021713	COVER, CENTER, TEAL	1
▲	18 1021651	RING	2
▲	21 1021714	SCREW PAT TMT PHL 5X40 BLACK	9
▲	22 1021714	SCREW PAT TMT PHL 5X40 BLACK	4
▲	23 N/A	MOTOR FASTENER HS 600 BLU-TEN	1

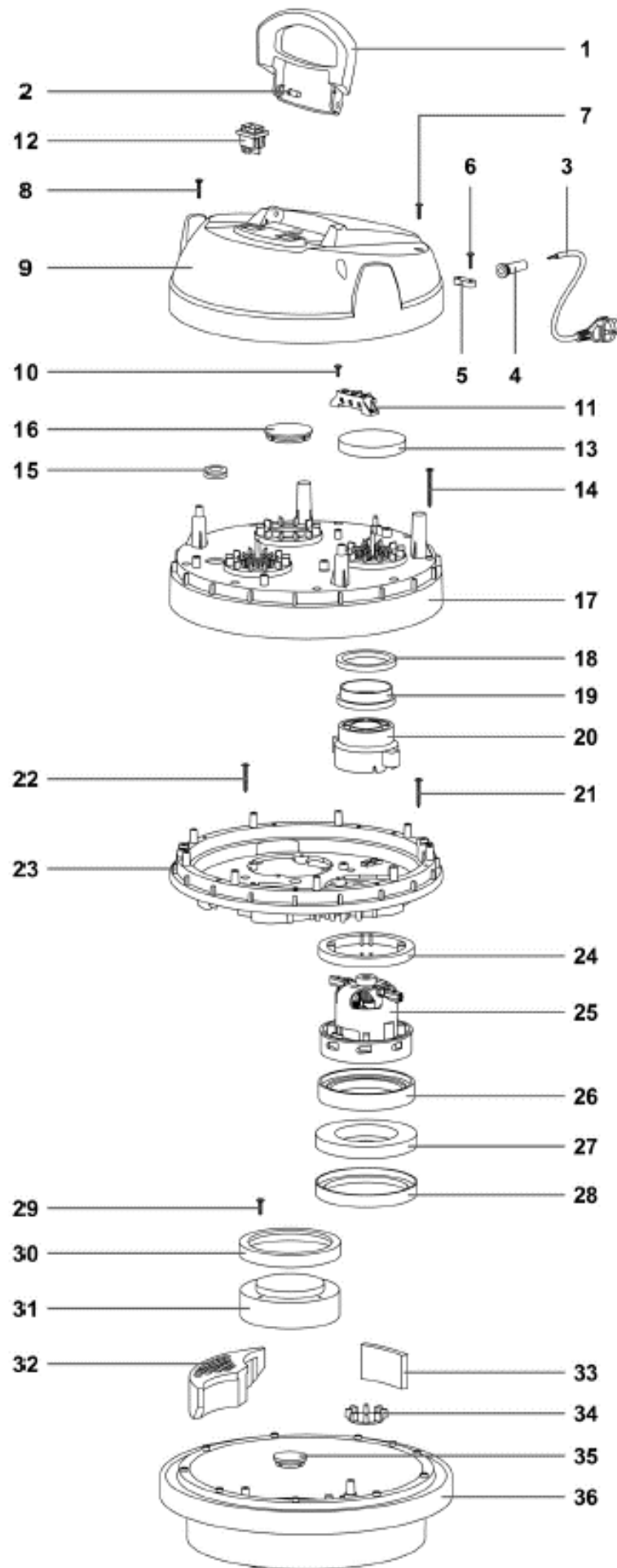
Continued on next page

▽ KIT

▲ INCLUDED IN KIT

N/A = NOT AVAILABLE SEPARATELY - MUST ORDER KIT

HEAD ASSEMBLY (EU/UK/CN/ANZ 220-240V MODELS) - Continued



HEAD ASSEMBLY (EU/UK/CN/ANZ 220-240V MODELS) - Continued

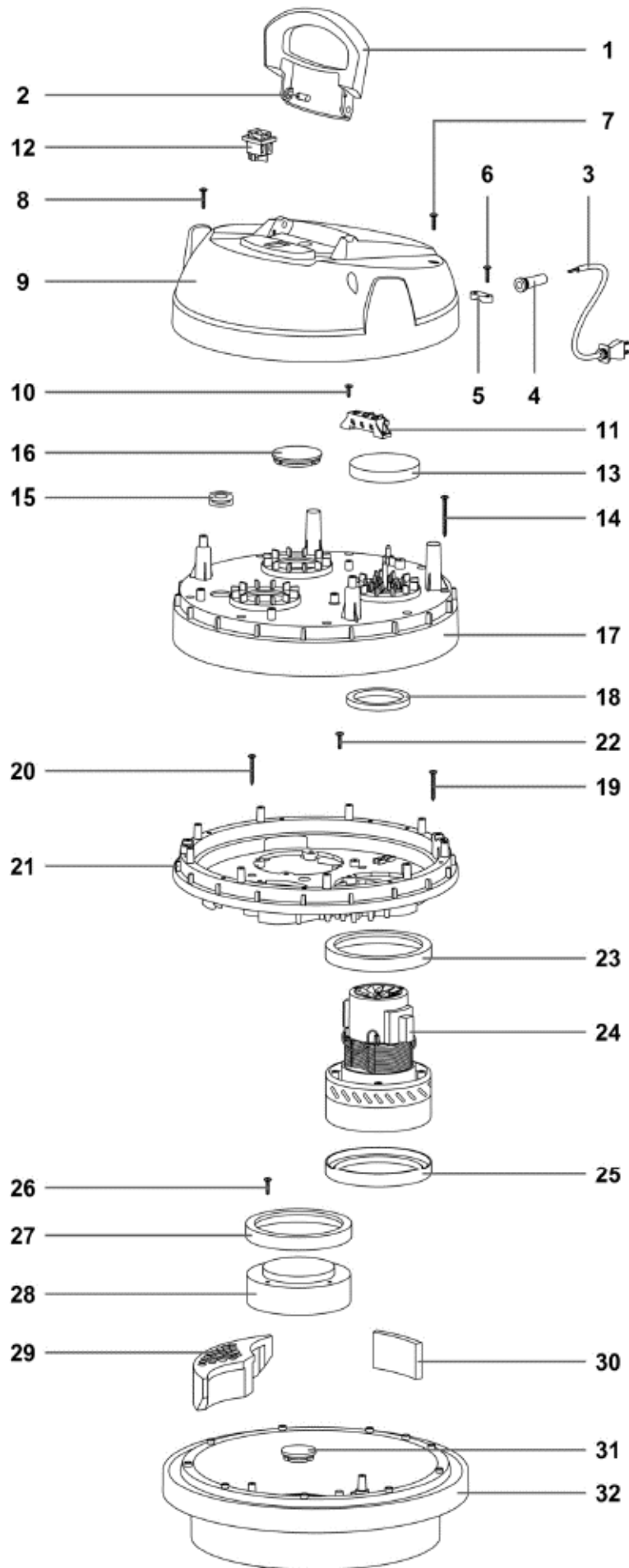
Code	Part No.	Description	QTY
▲ ▽	KTRIO5700	MOTOR KIT, VACUUM, 220-240VAC	1
▲ ▲ 20	N/A	CAP /ADAPTER F/MOT.BYPASS AU	1
▲ ▲ 25	N/A	MOTOR BS282 WL 1000W 220-240V	1
▲ ▲ NS	N/A	CLAMP (NOT SHOWN)	2
▲ ▲ NS	N/A	WIRING 50CM MOTOR-TP	1
▲ ▽	KTRIO5701	GASKET KIT, MOTOR 220-240VAC	1
▲ ▲ 19	1021652	SPACER, MOTOR	1
▲ ▲ 24	N/A	"C" GASKET D.130	1
▲ ▲ 26	N/A	"L" GASKET D.130 H=13	1
▲ ▲ 27	N/A	STAGE DUMMY H=20MM	1
▲ ▲ 28	N/A	"L" GASKET S/F H=8	1
▲	29	1021628 SCREW PFU TMT PHL 5X20 BLACK	4
▲	30	1021657 RING, BOTTOM, MOTOR	1
▲	31	N/A FAKE MOTOR	1
▲	32	1021720 DAMPER, SOUND	3
▲ ▽	KTRIO5702	BASE, HOUSING, GRAY [220-240V MODEL]	1
▲ ▲ 33	1021721	DAMPER, SOUND	3
▲ ▲ 34	1021722	VALVE	2
▲ ▲ 35	1021723	PLUG, COVER	1
▲ ▲ 36	N/A	BASE 600/400 C/GUA G55	1
▲	NS	N/A LABEL, SAFETY, READ MANUAL [CE]	1
▲	NS	N/A LABEL, LOGO, TENNANT	1

▽ KIT

▲ INCLUDED IN KIT

N/A = NOT AVAILABLE SEPARATELY - MUST ORDER KIT

HEAD ASSEMBLY (JAPAN 100V MODEL)



HEAD ASSEMBLY (JAPAN 100V MODEL)

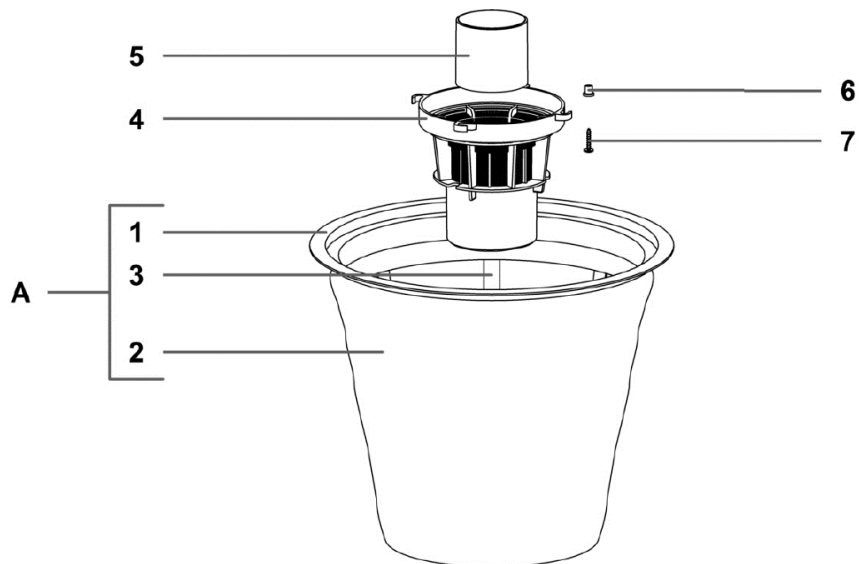
Code	Part No.	Description	QTY
▽	KTRIO5734	HOUSING ASSY, POWER, HEAD [V-WD-62 JPN]	1
▲ ▽	KTRIO5703	COVER KIT, VACUUM, TEAL [V-WD-62 JPN]	1
▲ ▲ 1	N/A	HANDLE VEGAS GRIGIO 5500	1
▲ ▲ 2	N/A	HANDLE PIN VEGAS	2
▲ ▲ 7	1021628	SCREW PFU TMT PHL 5X20 BLACK	2
▲ ▲ 8	N/A	SCREW PFU TMT PHL 5X25 ZN BLACK	2
▲ ▲ 9	N/A	COVER VEGAS 600 BL-TEN 1 INT	1
▲ ▽	KTRIO5696	CORD KIT, POWER, 100VAC [JPN]	1
▲ ▲ 3	N/A	ELECTRIC CORD 2X1,25 MT.8,5 JAP	1
▲ ▲ 4	1021625	LEAD	1
▲ ▲ 5	1021626	BLOCK, STRAINRELIEF	1
▲ ▲ 6	1021628	SCREW PFU TMT PHL 5X20 BLACK	1
▲ ▽	KTRIO5699	TERMINAL KIT, W/WIRES [100VAC Model]	1
▲ ▲ 10	1021706	SCREW PAT TMT PHL 5X14 ZN BLACK	2
▲ ▲ 11	N/A	TERMINAL BOARD 400-600 2P 1MOT	1
▲ 12	1021646	SWITCH [100VAC MODEL]	1
▲ 13	1021647	FILTER MTP/65 H=15 D.95	2
▲ 14	1021710	SCREW PAT TMT PHL 5X55 BLACK	9
▲ 15	1021711	GROMMET	1
▲ 16	1021712	PLUG, COVER	1
▲ 17	1021713	COVER, CENTER, TEAL	1
▲ 18	1021651	RING	2
▲ 19	1021714	SCREW PAT TMT PHL 5X40 BLACK	9
▲ 20	1021714	SCREW PAT TMT PHL 5X40 BLACK	4
▲ 21	N/A	MOTOR FASTENER 600 BLU-TEN	1
▲ 22	1021628	SCREW PFU TMT PHL 5X20 BLACK	4
▲ ▽	KTRIO5704	MOTOR KIT, VACUUM, 100VAC	1
▲ ▲ 24	N/A	MOTOR, 100V	1
▲ ▲ NS	N/A	CABLAGGIO 50CM MOTORE POKE-IN	1
▲ ▲ NS	N/A	CLAMP (NOT SHOWN)	2
▲ ▽	KTRIO5712	GASKET KIT, MOTOR [JP MODEL]	1
▲ ▲ 23	1021657	RING, BOTTOM, MOTOR	1
▲ ▲ 25	1021657	RING, BOTTOM, MOTOR	1
▲ 26	1021628	SCREW PFU TMT PHL 5X20 BLACK	8
▲ 27	1021657	RING, BOTTOM, MOTOR	2
▲ 28	N/A	FAKE MOTOR	2
▲ 29	1021720	DAMPER, SOUND	3
▲ ▽	KTRIO5705	BASE, HOUSING, GRAY [100V MODEL]	1
▲ ▲ 30	1021721	DAMPER, SOUND	3
▲ ▲ 31	1021723	PLUG, COVER	2
▲ ▲ 32	N/A	BASE 600/400 C/GUA G55	1
▲ NS	N/A	LABEL, SAFETY, READ MANUAL [CE]	1
▲ NS	N/A	LABEL, LOGO, TENNANT	1

▽ KIT

▲ INCLUDED IN KIT

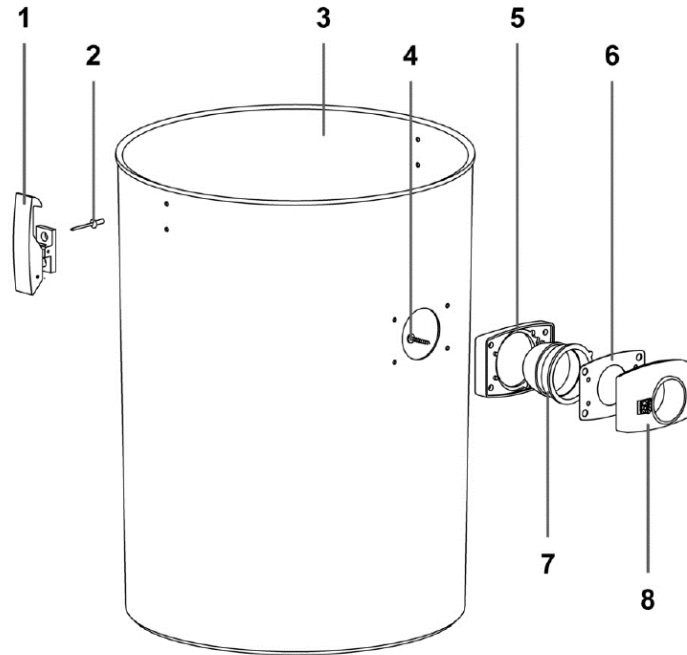
N/A = NOT AVAILABLE SEPARATELY - MUST ORDER KIT

MAIN FILTER ASSEMBLY



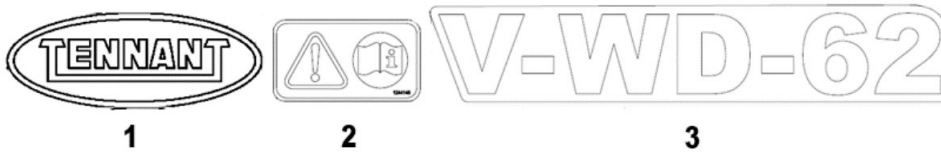
Code	Part No.	Description	QTY
▽ A	KTRIO5840	FILTER KIT, VACUUM	1
▲ 1	1021730	RING, FILTER	1
▲ 2	N/A	FILTER POLY AN4-600 CON REG H320	1
▲ 3	1021731	SUPPORT, FILTER, BASKET	1
▽	KTRIO5850	FLOAT KIT, BASKET	1
▲ 4	9008810	FILTER, VACUUM	1
▲ 5	1021666	FLOAT	1
▲ 6	1021661	SPACER	4
▲ 7	1021663	SCREW PAT TMT PHL 5X25	4
▽		KIT	
▲		INCLUDED IN KIT	
N/A = NOT AVAILABLE SEPARATELY - MUST ORDER KIT			

TANK ASSEMBLY



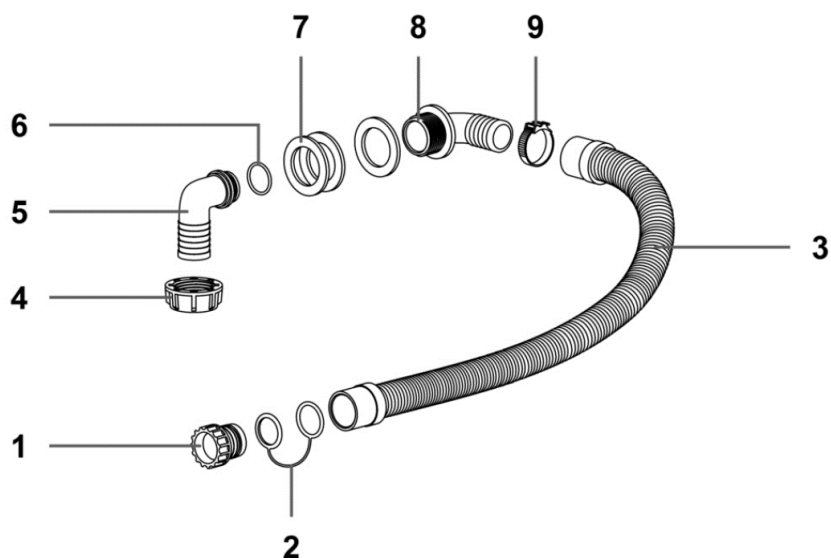
Code	Part No.	Description	QTY
▽	KTRI05735	TANK KIT, VACUUM [V-WD-62 COMPLETE ASSY]	
▲ ▽	KTRI05678	LATCH KIT, VACUUM [QTY 2]	
▲ ▲ 1	N/A	HOOK PLAST.COMPL. GI-VAC	2
▲ ▲ 2	N/A	RIVET 4,8X17	4
▲ 3	N/A	DRUM 400 PL NE F/BOCC.+GANCI+S	1
▲ ▽	KTRI05677	FITTING KIT, HOSE, INLET	
▲ ▲ 4	1021640	SCREW PAT TMT PHL 5X30 BLACK	4
▲ ▲ 5	N/A	GASKET R 205 BLACK	1
▲ ▲ 6	1021675	GASKET	1
▲ ▲ 7	1021685	INLET, TANK	1
▲ ▲ 8	N/A	PIPE UNION R155 NERO C/PUL.GI-VAC	1
▲ NS	N/A	LABEL, MODEL [V-WD-62]	2
▽	KIT		
▲	INCLUDED IN KIT		
N/A = NOT AVAILABLE SEPARATELY - MUST ORDER KIT			

LABEL KIT



Code	Part No.	Description	QTY
▽	KTRI05711	LABEL KIT, VACUUM [V-WD-62]	1
▲ 1	N/A	LABEL, LOGO, TENNANT	1
▲ 2	N/A	LABEL, SAFETY, READ MANUAL [CE]	1
▲ 3	N/A	LABEL, MODEL [V-WD-62]	2
▽	KIT		
▲	INCLUDED IN KIT		
N/A = NOT AVAILABLE SEPARATELY - MUST ORDER KIT			

DRAIN HOSE ASSEMBLY



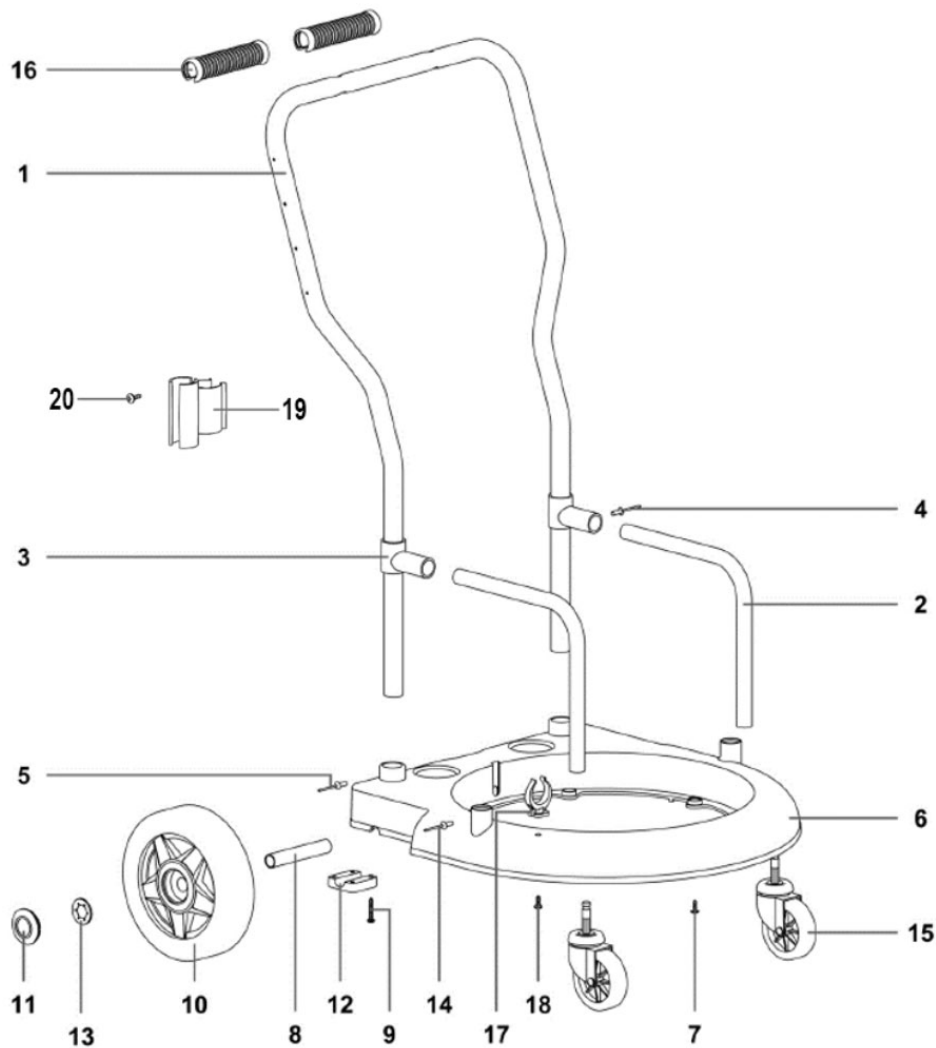
Code	Part No.	Description	QTY	
▽	KTRIO5660	HOSE KIT, DRAIN, W/CAP	1	
▲	1	N/A	PLASTIC TOP D.40 X 35 W/OR COMPL.	1
▲	2	N/A	TIE ROD CAP	1
▲	3	N/A	DRAIN TUBE D.34 L=600	1
▲	9	N/A	CLIP 300X9	1
▽	KTRIO5710	FITTING KIT, DRAIN HOSE	1	
▲	4	N/A	CONNECTION 1-1/4"	1
▲	5	N/A	HOLDER UNION, PP	1
▲	6	N/A	O-RING 28 X 2,5 NBR	1
▲	7	N/A	GASKET 60X40X4	3
▲	8	N/A	HOLDER UNION CURVED 90°1-1/4, PP	1

▽ KIT

▲ INCLUDED IN KIT

N/A = NOT AVAILABLE SEPARATELY - MUST ORDER KIT

TROLLEY ASSEMBLY



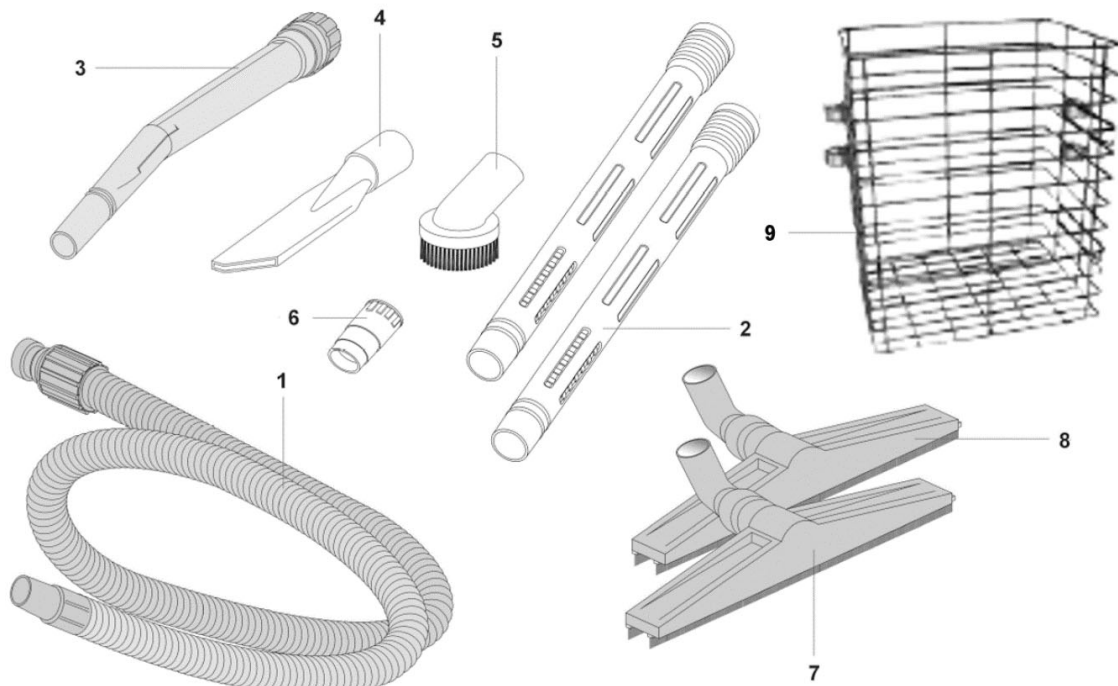
Code	Part No.	Description	QTY
▽	KTRIO5926	CART, VACUUM [V-WD-62]	
▲	1	N/A HANDLE MARKET 400 BLACK	1
▲	2	N/A VARNISHED SUPPORT TUBE	2
▲	3	N/A "T" TUBE	2
▲	4	N/A RIVET 4,8X17 BLACK	2
▲	5	N/A RIVET 4,8X17 BLACK	2
▲	6	N/A TROLLEY BODY 400 MARKET B	1
▲	7	1021706 SCREW PAT TMT PHL 5X14 ZN BLACK	6
▲ ▽	KTRIO5736	WHEEL KIT, CART [V-WD-62]	1
▲ ▲	8	N/A WHEEL PIN D.18X105 SP.1.5 ZN	2
▲ ▲	9	1021640 SCREW PAT TMT PHL 5X30 BLACK	8
▲ ▲	10	N/A REAR WHEEL D.200	2
▲ ▲	11	1021750 PLUG	2
▲ ▲	12	1021753 LOCK PIVOT BRACKET	2
▲ ▲	13	N/A BLOC. D.18	2
▲	14	N/A RIVET 4,8X17 BLACK	2
▲	15	N/A CASTER, FRONT	2
▲	16	1021755 GRIP, TROLLEY HANDLE [QTY 2]	2
▲ ▽	KTRIO5927	CLIP KIT, DRAIN HOSE	1
▲ ▲	17	N/A CLIP	1
▲ ▲	18	1021706 SCREW PAT TMT PHL 5X14 ZN BLACK	1
▲ ▽	KTRIO2728	CLIP KIT, HANDLE, D.25	1
▲ ▲	19	N/A CLIP D36-38 BLACK	2
▲ ▲	20	1021706 SCREW PAT TMT PHL 5X14 ZN BLACK	4

▽ KIT

▲ INCLUDED IN KIT

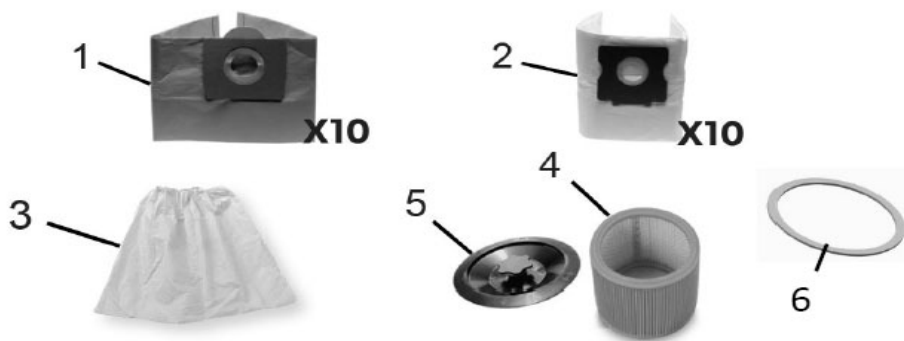
N/A = NOT AVAILABLE SEPARATELY - MUST ORDER KIT

ACCESSORY TOOLS



Code	Part No.	Description	QTY
1	KTRIO5803	HOSE ASSY, VACUUM, 2.5M, Ø38 MM	1
2	KTRIO5786	WAND SET, VACUUM, TWO-PIECE	2
3	KTRIO5804	HANDLE, VACUUM HOSE W/ REG, Ø38 MM	1
▽	KTRIO5608	TOOL KIT, VACUUM, Ø38 MM	1
▲	1021757	FLAT LANCE D.38	1
▲	1021758	ROUND TOOL D.38 / small box	1
▲	1064521	PVC ADAPTOR D.38	1
7	1064520	TOOL, FLOOR, WET, Ø38 MM	1
8	1064519	TOOL, FLOOR, DRY, Ø38 MM	1
9	KTRIO5937	TOOL HOLDER [OPTIONAL]	1
NS	KTRIO5821	TOOL, FLOOR, CARPET 38 MM [OPTIONAL]	1

VACUUM BAGS AND FILTERS



Code	Part No.	Description	Qty	
1	KTRIO2912	BAG, VACUUM, PAPER [1 PKG = 10 BAGS]	1	
2	KTRIO5851	BAG, VACUUM, MICROFIBER [1 PKG=10 BAGS]	1	
3	KTRIO5846	FILTER, VACUUM, PRE-FILTER	1	
▽	KTRIO5808	FILTER KIT, CARTRIDGE, HEPA W/RING & GASKET (OPTIONAL)	1	
▲	4	KTRIO5801	FILTER, CARTRIDGE, HEPA	1
▲	5	KTRIO5839	RING, FASTENER, PLASTIC	1
▲	6	N/A	GASKET H3	1

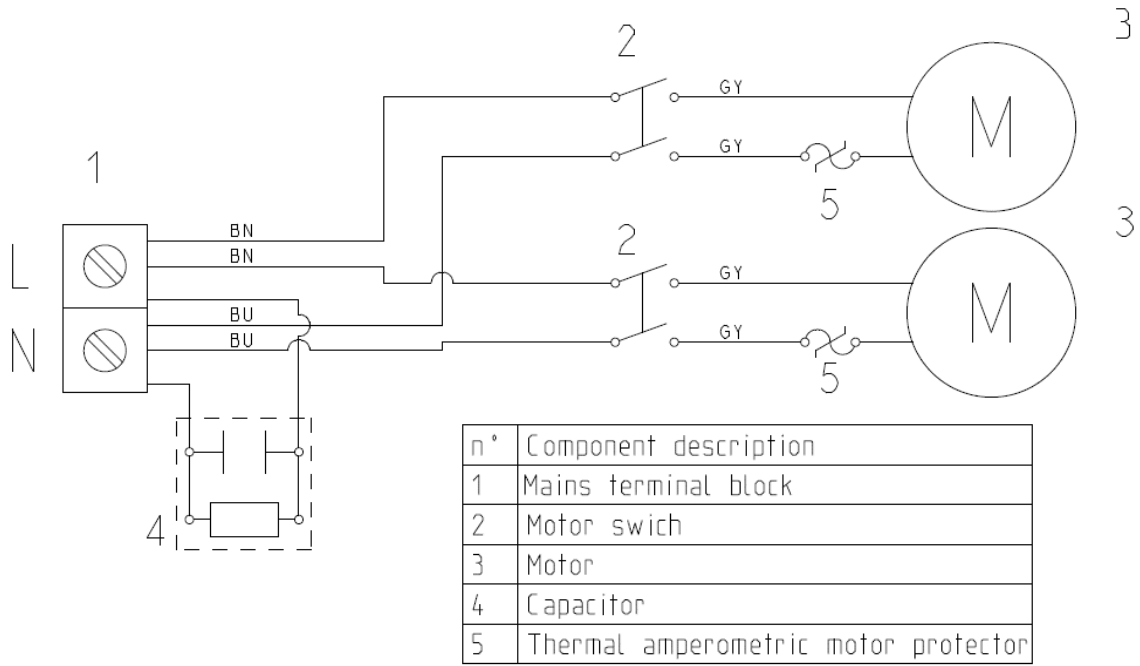
▽ KIT

▲ INCLUDED IN KIT

N/A = NOT AVAILABLE SEPARATELY - MUST ORDER KIT

ELECTRICAL DIAGRAMS

EU/UK/CN/ANZ 220-240V MODELS



JAPAN 100V MODEL

