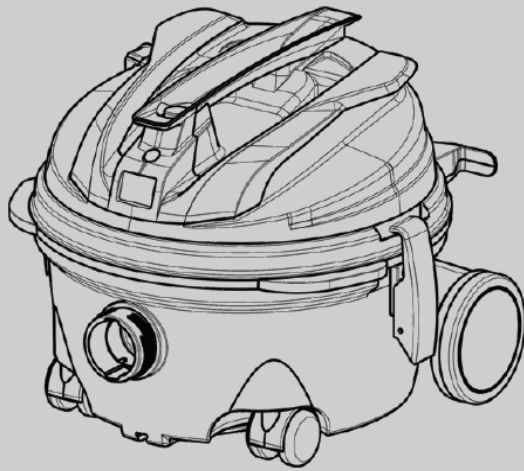




V-CAN-12

Canister Dry Vacuum Cleaner

Parts Manual



Model Part No.:

1244301 V-CAN-12 [120V NA]
1244303 V-CAN-12 [220-240V EU]
1244305 V-CAN-12 [220-240V UK]
1247852 V-CAN-12 [220-240V FR]
1244308 V-CAN-12 [220-240V ANZ]
1244306 V-CAN-12 [220-240V CN]
1244307 V-CAN-12 [100V JP]

TennantTrue® Parts

Walo Hygiëne en Reinigingssystemen B.V.
0187-605374
welkom@walo.nl
www.walo.nl



9018759
Rev. 01 (04-2019)

Only use TENNANT Company supplied or equivalent parts.
Parts and supplies may be ordered online, by phone or from any Tennant or Nobles
Authorized Service Center or Distributor.

Before Ordering any parts or supplies, be sure to have the machine model number and
serial number available.

Walo Hygiëne en Reinigingssystemen B.V.
0187-605374
welkom@walo.nl
www.walo.nl



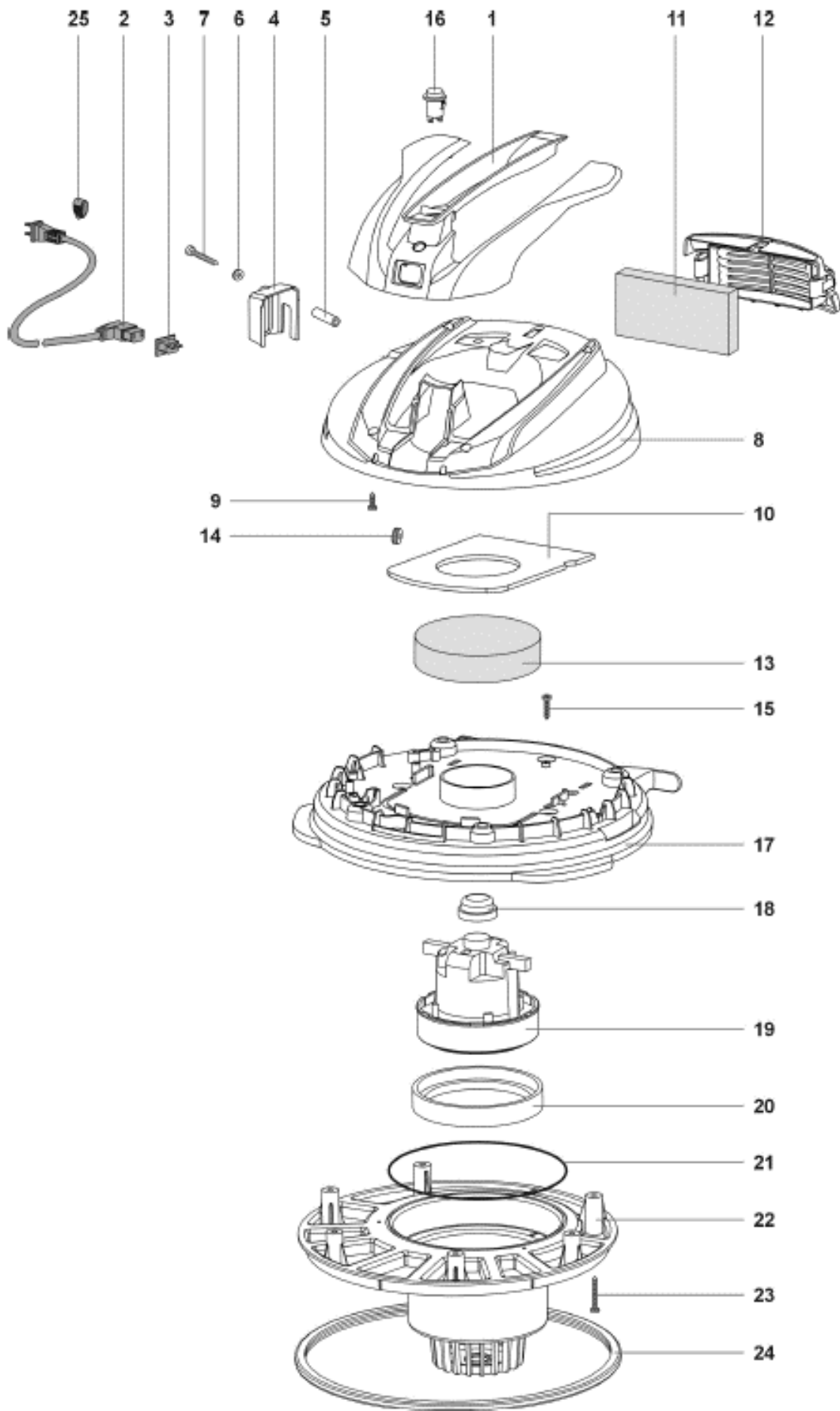
TABLE OF CONTENTS

HEAD ASSEMBLY (NA 120V MODEL)4
HEAD ASSEMBLY (EU/UK/ANZ 220-240V MODELS) 6
HEAD ASSEMBLY (CHINA 220-240V MODEL)8
HEAD ASSEMBLY (JAPAN 100V MODEL)10
TANK ASSEMBLY12
VACUUM BAGS & MAIN FILTER ASSEMBLY12
ACCESSORY TOOLS13
LABEL KIT13
ELECTRICAL DIAGRAM14

RECOMMENDED SPARE PARTS LIST

| VACUUM BAGS AND FILTERS | |
|----------------------------------|---|
| 9018690 | BAG, VACUUM, PAPER [1 PKG = 10 BAGS] |
| 9018692 | BAG, VACUUM, MICROFIBER [1 PKG=10 BAGS] |
| KTRI05903 | FILTER, EXHAUST [STANDARD] |
| KTRI05904 | FILTER, HEPA CARTRIDGE, EXHAUST [OPTIONAL] |
| KRTI05902 | FILTER KIT, VACUUM, MAIN |
| KRTI05919 | SUPPORT, FILTER BASKET |
| CLEANING TOOL ACCESSORIES | |
| KTRI05905 | HOSE ASSY, VACUUM, 1.9M [32MM] |
| KTRI05799 | WAND SET, CHROME, 2 PIECE [32MM] |
| KTRI05906 | HANDLE, VACUUM HOSE W/ REG [32MM] |
| KTRI05907 | TOOL, FLOOR, DRY, DOUBLE USE [32MM] |
| KTRI05970 | TOOL, FLOOR, DRY, DOUBLE USE [32MM] (FRANCE ONLY) |
| KTRI05942 | TOOL HOLDER - OPTIONAL |
| KTRI05794 | TOOL KIT, VACUUM [32MM] |
| GENERAL MAINTENANCE PARTS | |
| KTRI05834 | CASTER KIT, VACUUM [QTY 2] |
| KTRI05795 | LATCH KIT, VACUUM [QTY 2] |
| KTRI05908 | SWITCH, ON/OFF |
| KTRI05909 | CORD, POWER, 120V [NA] |
| KTRI05910 | CORD, POWER, 220-240V [EU] |
| KTRI05911 | CORD, POWER, 220-240V [UK] |
| KTRI05912 | CORD, POWER, 220-240V [ANZ] |
| KTRI05797 | CORD KIT, POWER, 220-240V [CN] |
| KTRI05796 | CORD KIT, POWER, 100V [JP] |
| KTRI05913 | MOTOR KIT, VACUUM, 800W, 120V/60HZ [NA] |
| KTRI05915 | MOTOR KIT, VACUUM, 800W, 220-240V |
| KTRI05914 | MOTOR KIT, VACUUM, 800W, 100V [JP] |
| KTRI05841 | GASKET KIT, MOTOR |
| KTRI05916 | COVER, FILTER, EXHAUST [V-CAN-12/16 NA] |
| KTRI05918 | COVER, FILTER, EXHAUST [V-CAN-12/16 EMEA/APAC] |

HEAD ASSEMBLY (NA 120V MODEL)



HEAD ASSEMBLY (NA 120V MODEL)

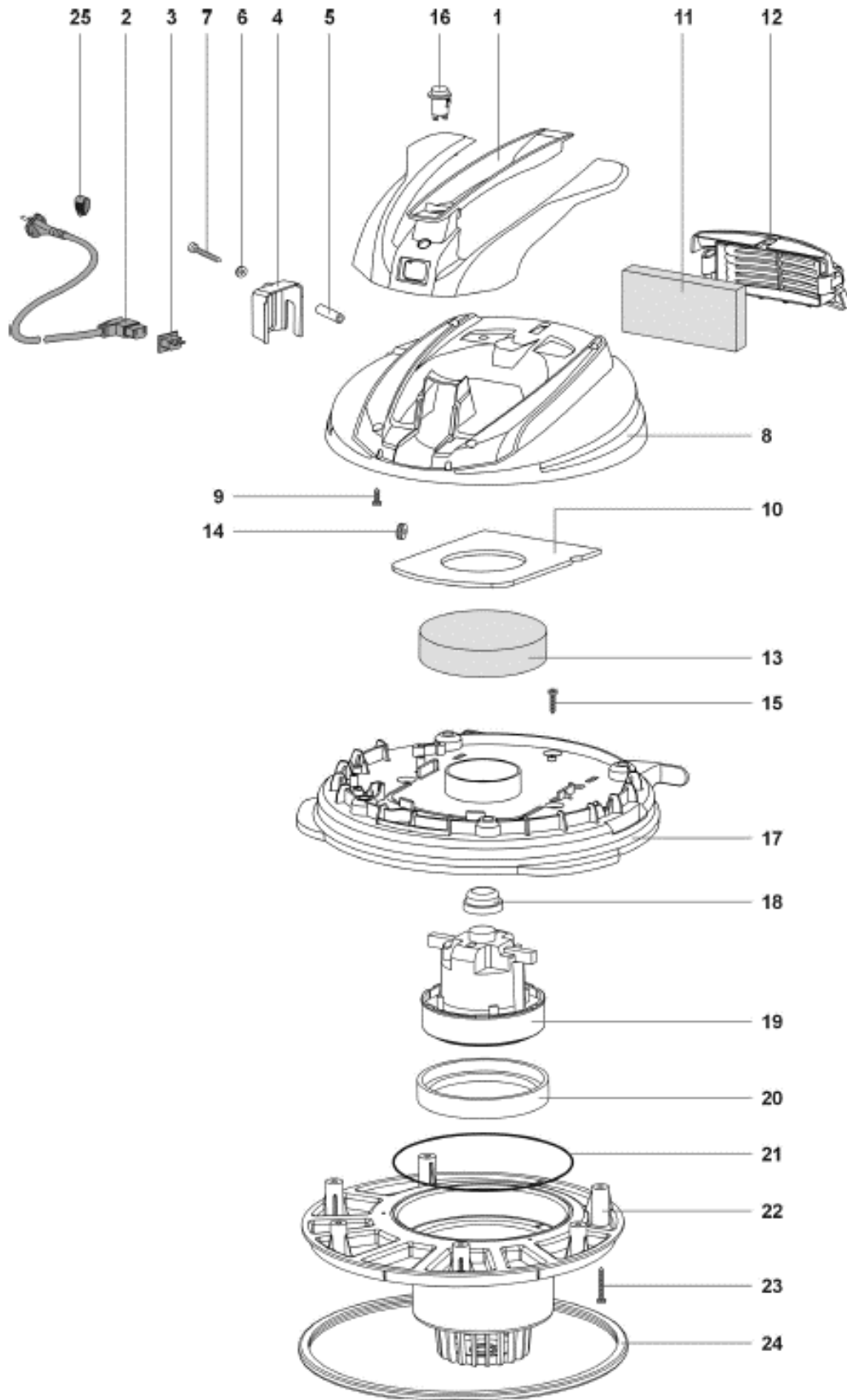
| | Code | Part No. | Description | QTY |
|-------|------|-----------|--|-----|
| ▽ | | KTRI05862 | HOUSING ASSY, POWER, HEAD, 120V [V-CAN-12] | 1 |
| ▲ ▽ | | KTRI05864 | COVER KIT, VACUUM [V-CAN-12] | 1 |
| ▲ ▲ | 1 | N/A | HANDLE TENNANT DRY GR55 | 1 |
| ▲ ▲ | 2 | KTRI05909 | CORD, POWER, 120V [NA] | 1 |
| ▲ ▲ | 3 | 99932858 | PLUG, MACH, 120V-230VAC | 1 |
| ▲ ▲ ▽ | | KTRI05789 | COVER KIT, CORD RETAINER [V-CAN] | 1 |
| ▲ ▲ ▲ | 4 | N/A | COVER BL.CAVO TENNANT DRY BLT A [V-CAN-12] | 1 |
| ▲ ▲ ▲ | 5 | N/A | SPACER BLOCCA CAVO [V-CAN-12] | 1 |
| ▲ ▲ ▲ | 6 | N/A | WASHER M 6 UNI 6592 | 1 |
| ▲ ▲ ▲ | 7 | 1021643 | SCREW PAT TMT PHL 5X50 | 1 |
| ▲ ▲ | 8 | N/A | COVER TENNANT DRY BLU TEN AU [V-CAN-12] | 1 |
| ▲ ▲ | 9 | 1021706 | SCREW PAT TMT PHL 5X14 ZN BLACK | 5 |
| ▲ ▲ | 10 | N/A | GASKET ADESIVA COP. TEN DRY PE | 1 |
| ▲ ▲ | 11 | KTRI05903 | FILTER, EXHAUST | 1 |
| ▲ ▲ | 12 | KTRI05916 | COVER, FILTER, EXHAUST [V-CAN-12/16 NA] | 1 |
| ▲ ▲ | 14 | N/A | GUIDING SLIT W/LEO MEMBRANE | 1 |
| ▲ ▲ | 16 | KTRI05908 | SWITCH | 1 |
| ▲ ▲ | N/S | 1059271 | WIRING 43CM MOTOR | 1 |
| ▲ ▲ | N/S | N/A | WIRING LEO | 1 |
| ▲ | 13 | KTRI05931 | FILTER, FOAM | 1 |
| ▲ | 15 | 1021628 | SCREW PFU TMT PHL 5X20 BLACK | 3 |
| ▲ | 17 | N/A | MOTOR FASTENER YVO DRY GR.55 AU | 1 |
| ▲ ▽ | | KTRI05841 | GASKET KIT, MOTOR | 1 |
| ▲ ▲ | 18 | N/A | MOT.FASTENER GUM G.EPDM30 D42X20 | 1 |
| ▲ ▲ | 20 | N/A | GASKET A L D.130 H=13 | 1 |
| ▲ ▲ | 21 | N/A | O-RING GOMMA SPUGNA D.4 D.190 | 1 |
| ▲ | 19 | KTRI05913 | MOTOR, 800W 120VAC 60HZ | 1 |
| ▲ | 22 | N/A | LEO BASE | 1 |
| ▲ | 23 | 1021640 | SCREW PAT TMT PHL 5X30 BLACK | 6 |
| ▲ | 24 | KTRI05932 | GASKET, HEAD ASSEMBLY | 1 |
| ▲ | 25 | N/A | CLIP BIG FIXING CABL ELE | 1 |

▽ KIT

▲ INCLUDED IN KIT

N/A = NOT AVAILABLE SEPARATELY - MUST ORDER KIT

HEAD ASSEMBLY (EU/UK/ANZ 220-240V MODELS)



HEAD ASSEMBLY (EU/UK/ANZ 220-240V MODELS)

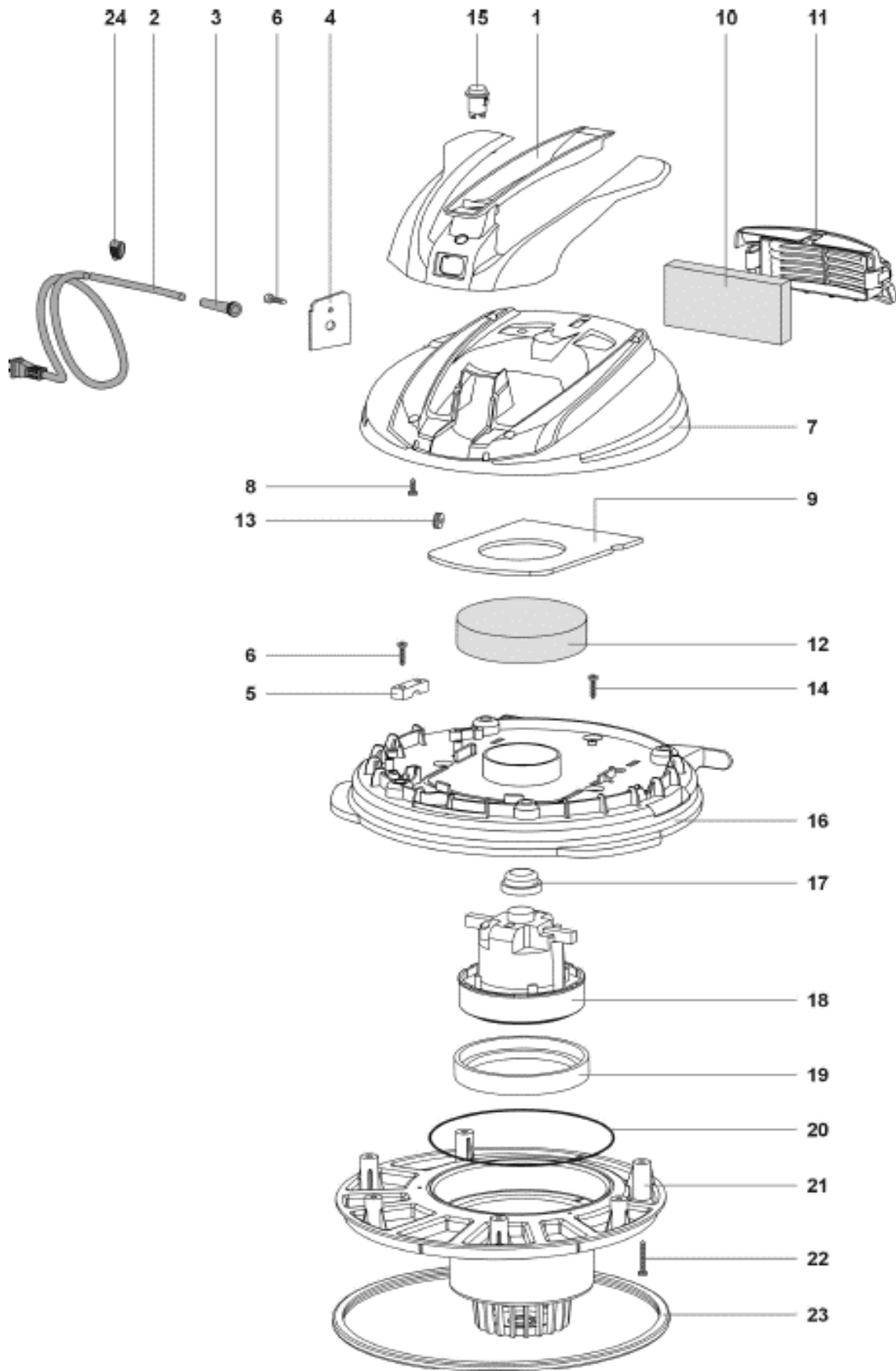
| Code | Part No. | Description | QTY |
|-------|--------------|--|-----|
| ▽ | KTRI05838 | HOUSING ASSY, POWER, HEAD [V-CAN-12 EU UK ANZ] | 1 |
| ▲ ▽ | KTRI05844 | COVER KIT, VACUUM [V-CAN-12 EU UK ANZ] | 1 |
| ▲ ▲ | 1 N/A | HANDLE TENNANT DRY GR55 | 1 |
| | 2 KTRI05910 | CORD, POWER, 220-240V [EU] | 1 |
| | 2 KTRI05911 | CORD, POWER, 220-240V [UK] | 1 |
| | 2 KTRI05912 | CORD, POWER, 220-240V [ANZ] | 1 |
| ▲ ▲ | 3 99932858 | PLUG, MACH, 120V-230VAC | 1 |
| ▲ ▲ ▽ | KTRI05788 | COVER KIT, CORD RETAINER | 1 |
| ▲ ▲ ▲ | 4 N/A | COVER BL.CAVO TENNANT DRY BLU T | 1 |
| ▲ ▲ ▲ | 5 N/A | SPACER PLASTIC D.10 D.6,3X21 | 1 |
| ▲ ▲ ▲ | 6 N/A | G206 | 1 |
| ▲ ▲ ▲ | 7 1021643 | SCREW PAT TMT PHL 5X50 | 1 |
| ▲ ▲ | 8 N/A | COVER TENNANT DRY BLU TEN | 1 |
| ▲ ▲ | 9 1021706 | SCREW PAT TMT PHL 5X14 ZN BLACK | 5 |
| ▲ ▲ | 10 N/A | GASKET ADESIVA COP. TEN DRY PE | 1 |
| ▲ ▲ | 11 KTRI05903 | FILTER, EXHAUST | 1 |
| ▲ ▲ | 12 KTRI05918 | COVER, FILTER, EXHAUST [V-CAN-12/16 EMEA/APAC] | 1 |
| ▲ ▲ | 14 N/A | GUIDING SLIT W/LEO MEMBRANE | 1 |
| ▲ ▲ | 16 KTRI05908 | SWITCH | 1 |
| ▲ ▲ | N/S 1059271 | WIRING 43CM MOTOR | 1 |
| ▲ ▲ | N/S N/A | WIRING LEO | 1 |
| ▲ | 13 KTRI05931 | FILTER, FOAM | 1 |
| ▲ | 15 1021628 | SCREW PFU TMT PHL 5X20 BLACK | 3 |
| ▲ | 17 N/A | MOTOR FASTENER YVO DRY GR.55 | 1 |
| ▲ ▽ | KTRI05841 | GASKET KIT, MOTOR | 1 |
| ▲ ▲ | 18 N/A | MOT.FASTENER GUM G.EPDM30 D42X20 | 1 |
| ▲ ▲ | 20 N/A | GASKET A L D.130 H=13 | 1 |
| ▲ ▲ | 21 N/A | O-RING GOMMA SPUGNA D.4 D.190 | 1 |
| ▲ | 19 KTRI05915 | MOTOR, 800W 220-240V [V-CAN-12] | 1 |
| ▲ | 22 N/A | LEO BASE | 1 |
| ▲ | 23 1021640 | SCREW PAT TMT PHL 5X30 BLACK | 6 |
| ▲ | 24 KTRI05932 | GASKET, HEAD ASSEMBLY | 1 |
| ▲ | 25 N/A | CLIP BIG FIXING CABL ELE | 1 |

▽ KIT

▲ INCLUDED IN KIT

N/A = NOT AVAILABLE SEPARATELY - MUST ORDER KIT

HEAD ASSEMBLY (CHINA 220-240V MODEL)



HEAD ASSEMBLY (CHINA 220-240V MODEL)

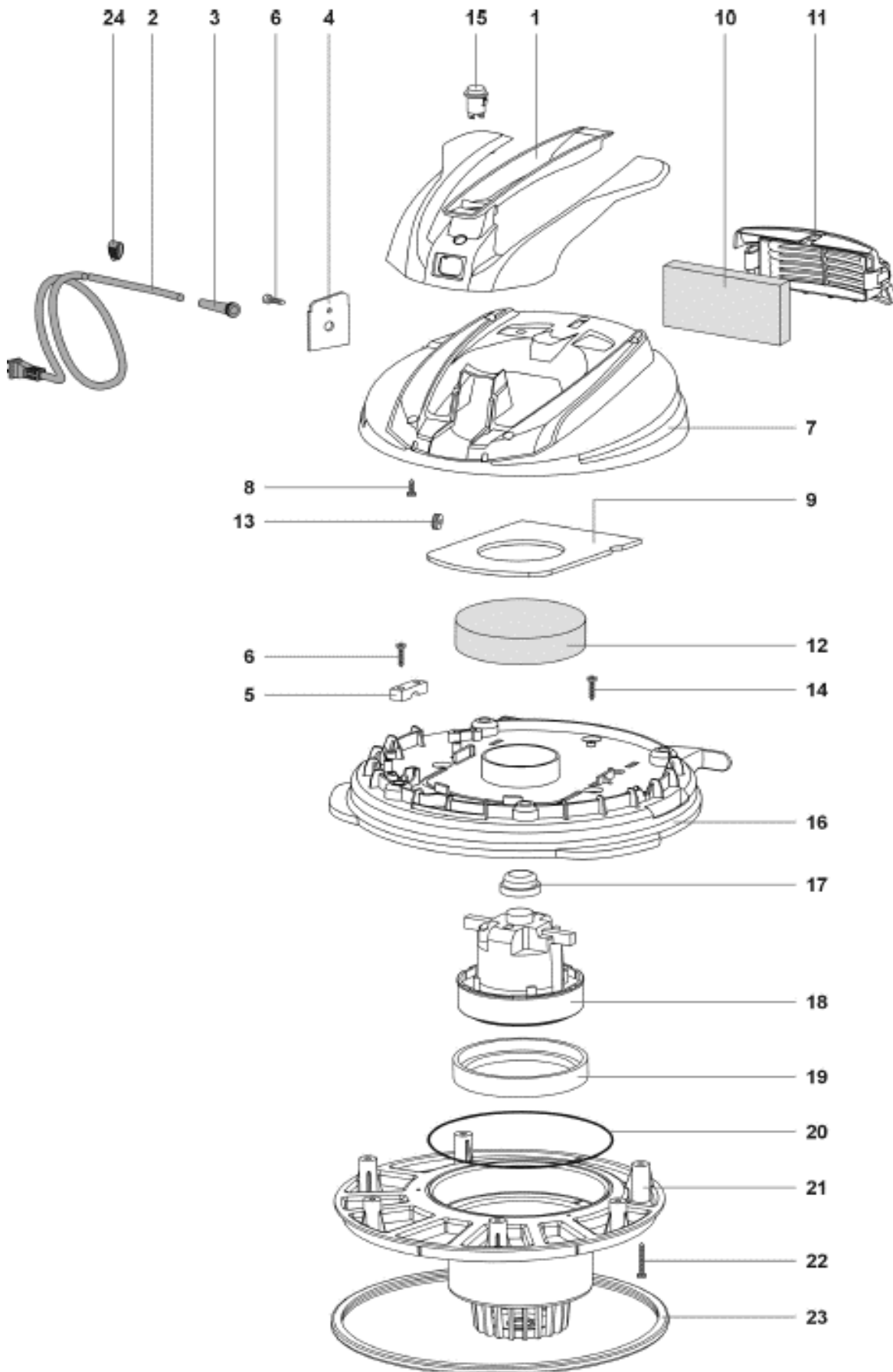
| Code | Part No. | Description | QTY |
|----------|-----------|--|-----|
| ▽ | KTRIO5867 | HOUSING ASSY, POWER, HEAD [V-CAN-12 CN] | 1 |
| ▲ ▽ | KTRIO5869 | COVER KIT, VACUUM [V-CAN-12 CN] | 1 |
| ▲ ▲ 1 | N/A | HANDLE TENNANT DRY GR55 | 1 |
| ▲ ▲ ▽ | KTRIO5797 | CORD, POWER, 220-240V [CN] | 1 |
| ▲ ▲ ▲ 2 | N/A | CABLE ELECTTRICO 2X0,75 MT.8,5 F [CN] | 1 |
| ▲ ▲ ▲ 3 | 1021625 | LEAD | 1 |
| ▲ ▲ ▲ 4 | N/A | COVER BL.CAVO TENNANT DRY BLU T | 1 |
| ▲ ▲ ▲ 5 | 1021626 | CABLE CLAMP | 1 |
| ▲ ▲ ▲ 6 | 1021628 | SCREW PFU TMT PHL 5X20 BLACK | 3 |
| ▲ ▲ ▲ 24 | N/A | CLIP BIG FIXING CABL ELE | 1 |
| ▲ ▲ 7 | N/A | COVER TENNANT DRY BLU TEN | 1 |
| ▲ ▲ 8 | 1021706 | SCREW PAT TMT PHL 5X14 ZN BLACK | 5 |
| ▲ ▲ 9 | N/A | GASKET ADESIVA COP. TEN DRY PE | 1 |
| ▲ ▲ 10 | KTRIO5903 | FILTER, EXHAUST, FOAM | 1 |
| ▲ ▲ 11 | KTRIO5918 | COVER, FILTER, EXHAUST [V-CAN-12/16 EMEA/APAC] | 1 |
| ▲ ▲ 13 | N/A | GUIDING SLIT W/LEO MEMBRANE | 1 |
| ▲ ▲ 15 | KTRIO5908 | SWITCH | 1 |
| ▲ ▲ | N/A | WIRING 43CM MOTOR [CN] | 1 |
| ▲ ▲ N/S | N/A | WIRING LEO | 1 |
| ▲ 12 | KTRIO5931 | FILTER, FOAM | 1 |
| ▲ 14 | 1021628 | SCREW PFU TMT PHL 5X20 BLACK | 3 |
| ▲ 16 | N/A | MOTOR FASTENER YVO DRY GR.55 | 1 |
| ▲ ▽ | KTRIO5841 | GASKET KIT, MOTOR | 1 |
| ▲ ▲ 17 | N/A | MOT. FASTENER GUM G.EPDM30 D42X20 | 1 |
| ▲ ▲ 19 | N/A | GASKET, MOTOR | 1 |
| ▲ ▲ 20 | N/A | O-RING GOMMA SPUGNA D.4 D.190 | 1 |
| ▲ 18 | KTRIO5915 | MOTOR, 800W 220-240VAC [V-CAN-12] | 1 |
| ▲ 21 | N/A | LEO BASE | 1 |
| ▲ 22 | 1021640 | SCREW PAT TMT PHL 5X30 BLACK | 6 |
| ▲ 23 | KTRIO5932 | GASKET, HEADY ASSEMBLY | 1 |

▽ KIT

▲ INCLUDED IN KIT

N/A = NOT AVAILABLE SEPARATELY - MUST ORDER KIT

HEAD ASSEMBLY (JAPAN 100V MODEL)



HEAD ASSEMBLY (JAPAN 100V MODEL)

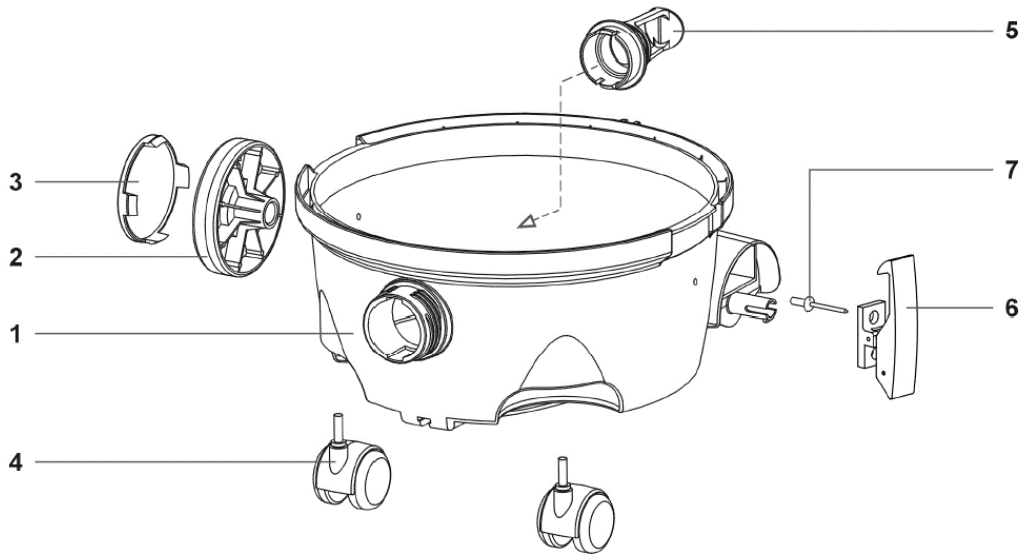
| | Code | Part No. | Description | QTY |
|-------|------|-----------|--|-----|
| ▽ | | KTRIO5866 | HOUSING ASSY, POWER, HEAD [V-CAN-12 JP] | 1 |
| ▲ ▽ | | KTRIO5868 | COVER KIT, VACUUM [V-CAN-12 JP] | 1 |
| ▲ ▲ | 1 | N/A | HANDLE TENNANT DRY GR55 | 1 |
| ▲ ▲ ▽ | | KTRIO5796 | CORD, POWER, 100V [JP] | 1 |
| ▲ ▲ ▲ | 2 | N/A | CABLE E.2X1 MT12 GI IEC320 [JP] | 1 |
| ▲ ▲ ▲ | 3 | 1021625 | LEAD | 1 |
| ▲ ▲ ▲ | 4 | N/A | COVER BL.CAVO TENNANT DRY BLU T | 1 |
| ▲ ▲ ▲ | 5 | 1021626 | CABLE CLAMP | 1 |
| ▲ ▲ ▲ | 6 | 1021628 | SCREW PFU TMT PHL 5X20 BLACK | 3 |
| ▲ ▲ ▲ | 24 | N/A | CLIP BIG FIXING CABL ELE | 1 |
| ▲ ▲ | 7 | N/A | COVER TENNANT DRY BLU TEN | 1 |
| ▲ ▲ | 8 | 1021706 | SCREW PAT TMT PHL 5X14 ZN BLACK | 5 |
| ▲ ▲ | 9 | N/A | GASKET ADESIVA COP. TEN DRY PE | 1 |
| ▲ ▲ | 10 | KTRIO5903 | FILTER, EXHAUST, FOAM | 1 |
| ▲ ▲ | 11 | KTRIO5918 | COVER, FILTER, EXHAUST [V-CAN-12/16 EMEA/APAC] | 1 |
| ▲ ▲ | 13 | N/A | GUIDING SLIT W/LEO MEMBRANE | 1 |
| ▲ ▲ | 15 | KTRIO5908 | SWITCH | 1 |
| ▲ ▲ | CN | N/A | WIRING 43CM MOTOR [CN] | 1 |
| ▲ ▲ | N/S | N/A | WIRING LEO | 1 |
| ▲ | 12 | KTRIO5931 | FILTER, FOAM | 1 |
| ▲ | 14 | 1021628 | SCREW PFU TMT PHL 5X20 BLACK | 3 |
| ▲ | 16 | N/A | MOTOR FASTENER YVO DRY GR.55 | 1 |
| ▲ ▽ | | KTRIO5841 | GASKET KIT, MOTOR | 1 |
| ▲ ▲ | 17 | N/A | MOT.FASTENER GUM G.EPDM30 D42X20 | 1 |
| ▲ ▲ | 19 | N/A | GASKET, MOTOR | 1 |
| ▲ ▲ | 20 | N/A | O-RING GOMMA SPUGNA D.4 D.190 | 1 |
| ▲ | 18 | KTRIO5914 | MOTOR, 800W 100VAC 50/60HZ [JP] | 1 |
| ▲ | 21 | N/A | LEO BASE | 1 |
| ▲ | 22 | 1021640 | SCREW PAT TMT PHL 5X30 BLACK | 6 |
| ▲ | 23 | KTRIO5932 | GASKET, HEADY ASSEMBLY | 1 |

▽ KIT

▲ INCLUDED IN KIT

N/A = NOT AVAILABLE SEPARATELY - MUST ORDER KIT

TANK ASSEMBLY



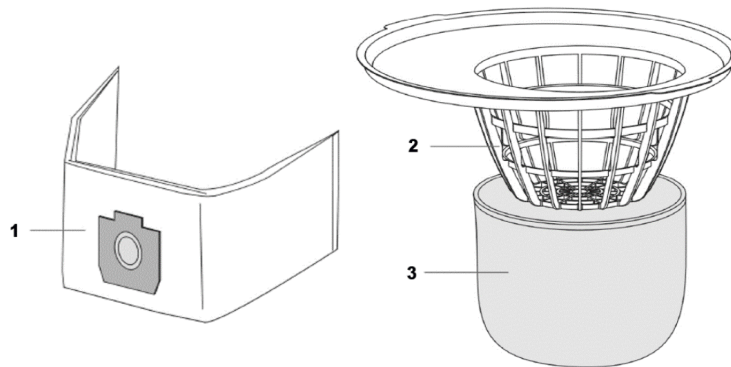
| Code | Part no. | Description | QTY |
|-------|-----------|---|-----|
| ▽ | KTRI05835 | TANK KIT, VACUUM w/ LABELS [V-CAN-12 EU/UK/ANZ/CN/JP] | 1 |
| ▽ | KTRI05836 | TANK KIT, VACUUM w/ LABELS [V-CAN-12 NA] | 1 |
| ▲ 1 | N/A | TANK, VACUUM | 1 |
| ▲ ▽ | KTRI05792 | WHEEL KIT [QTY 2] | 1 |
| ▲ ▲ 2 | N/A | WHEEL BODY RUBBERISED G55 | 2 |
| ▲ ▲ 3 | N/A | WHEEL COVERING BLACK | 2 |
| ▲ ▽ | KTRI05834 | CASTER KIT [QTY 2] | 1 |
| ▲ ▲ 4 | N/A | WHEEL D.50 GREY W/ PIVOT SOFT | 2 |
| ▲ 5 | N/A | DEFLECTOR W/OR | 1 |
| ▲ ▽ | KTRI05795 | LATCH KIT [QTY 2] | 1 |
| ▲ ▲ 6 | N/A | HOOK PLAST.COMPL. GI-VAC | 2 |
| ▲ ▲ 7 | N/A | RIVET 4,8X18 | 4 |

▽ KIT

▲ INCLUDED IN KIT

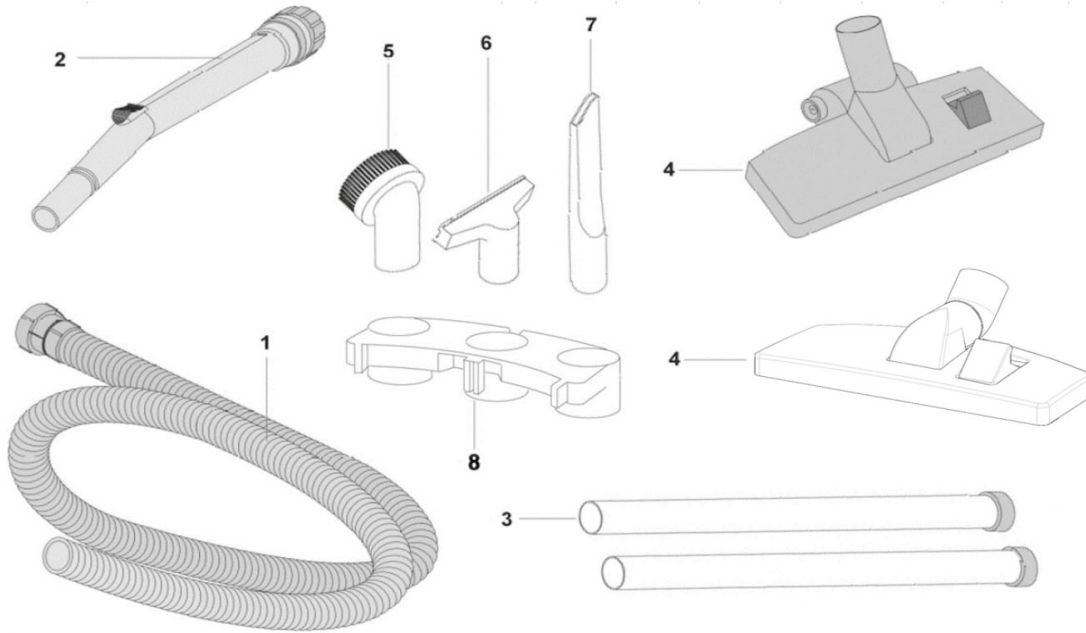
N/A = NOT AVAILABLE SEPARATELY - MUST ORDER KIT

VACUUM BAGS & MAIN FILTER ASSEMBLY



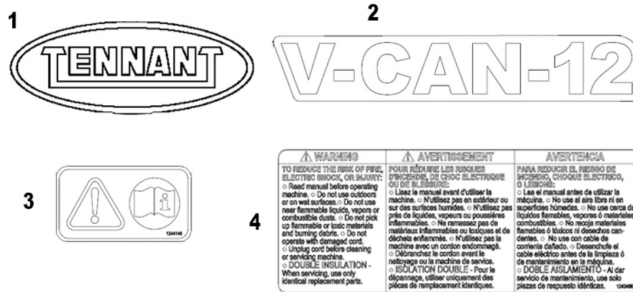
| Code | Part No. | Description | QTY |
|------|-----------|---|-----|
| 1 | 9018690 | BAG, VACUUM, PAPER [1 PKG = 10 BAGS] | 1 |
| 1 | 9018692 | BAG, VACUUM, MICROFIBER [1 PKG = 10 BAGS] | 1 |
| 2 | KTRI05919 | SUPPORT, FILTER BASKET | 1 |
| 3 | KTRI05902 | FILTER, POLYESTER, MAIN | 1 |

ACCESSORY TOOLS



| Code | Part No. | Description | QTY |
|------|-----------|---|-----|
| | 1 | KTRI05905 HOSE ASSY, VACUUM, 1.9M, 32MM | 1 |
| | 2 | KTRI05906 HANDLE, VACUUM HOSE W/ REG, 32MM | 1 |
| | 3 | KTRI05799 WAND SET, CHROME, TWO-PIECE, 32MM | 2 |
| | 4 | KTRI05907 TOOL, FLOOR, DRY, DOUBLE USE [32MM] | 1 |
| | 4 | KTRI05970 TOOL, FLOOR, DRY, DOUBLE USE [32MM] (FRANCE ONLY) | 1 |
| ▽ | KTRI05794 | TOOL KIT, VACUUM, 32MM | 1 |
| ▲ | 5 | N/A TOOL, ROUND BRUSH, 32MM | 1 |
| ▲ | 6 | N/A TOOL, FURNITURE, 32MM | 1 |
| ▲ | 7 | N/A TOOL, CREVICE, 32MM | 1 |
| | 8 | KTRI05942 HOLDER, TOOL [OPTIONAL] | 1 |

LABEL KIT



| ⚠ WARNING | ⚠ AVERTISSEMENT | ⚠ ADVERTENCIA |
|---|--|--|
| <p>TO REDUCE THE RISK OF FIRE, ELECTRIC SHOCK, OR INJURY:</p> <ul style="list-style-type: none"> Read manual before operating machine. Do not use outdoors or on wet surfaces. Do not use near flammable liquids, vapors or combustible dusts. Do not pick up fireworks or toxic materials and burning debris. Do not connect with damaged cord. Unplug cord before cleaning or servicing machine. DOUBLE INSULATION - When servicing, use only identical replacement parts. | <p>POUR RÉDUIRE LES RISQUES D'INCENDIE, DE CHOC ÉLECTRIQUE, DE BRÛLURE OU DE BLESSURE:</p> <ul style="list-style-type: none"> Lisez le manuel avant d'utiliser la machine. N'utilisez pas en extérieur ou sur des surfaces humides. N'utilisez pas près de liquides, vapeurs ou poussières inflammables. Ne ramassez pas de matières inflammables ou toxiques et débris enflammants. N'allumez pas de machines avec un cordon endommagé. Débranchez le cordon avant le nettoyage ou la maintenance. ISOLATION DOUBLE - Pour le débarras, utiliser uniquement des pièces de remplacement identiques. | <p>PARA REDUCIR EL RIESGO DE INCENDIO, CHOCQUE ELÉCTRICO, O LESIONES:</p> <ul style="list-style-type: none"> Lea el manual antes de utilizar la máquina. No use al aire libre ni en superficies húmedas. No use cerca de líquidos inflamables, vapores o materiales combustibles. No recoja materiales inflamables o tóxicos ni desechos calientes. No use con cables de conexión dañados. Desconecte el cable eléctrico antes de la limpieza o de mantenimiento en la máquina. DOBLE AISLAMIENTO - Al dar servicio de mantenimiento, use solo piezas de repuesto idénticas. |

| Code | Part No. | Description | QTY |
|------|-----------|---|-----|
| ▽ | KTRI05831 | LABEL KIT, VACUUM [V-CAN-12, EMEA/APAC] | 1 |
| ▲ | 1 | N/A LABEL, LOGO, TENNANT | 1 |
| ▲ | 2 | N/A LABEL, MODEL [V-CAN-12] | 2 |
| ▲ | 3 | N/A LABEL, SAFETY, READ MANUAL [CE] | 1 |
| ▽ | KTRI05832 | LABEL KIT, VACUUM [V-CAN-12 NA] | 1 |
| ▲ | 1 | N/A LABEL, LOGO, TENNANT | 1 |
| ▲ | 2 | N/A LABEL, MODEL [V-CAN-12] | 2 |
| ▲ | 4 | N/A LABEL, WARNING, EN/FR/ES [AC VAC] | 1 |

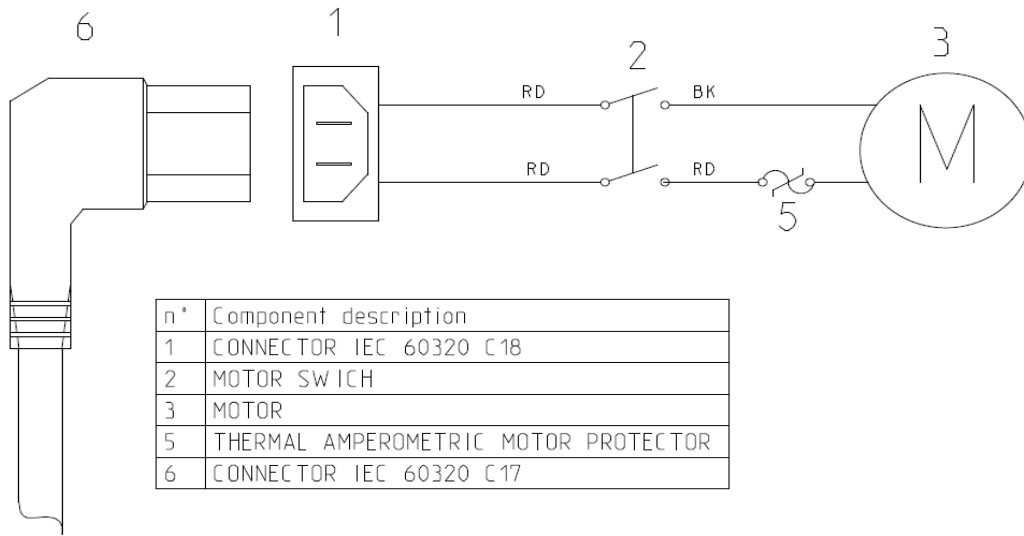
▽ KIT

▲ INCLUDED IN KIT

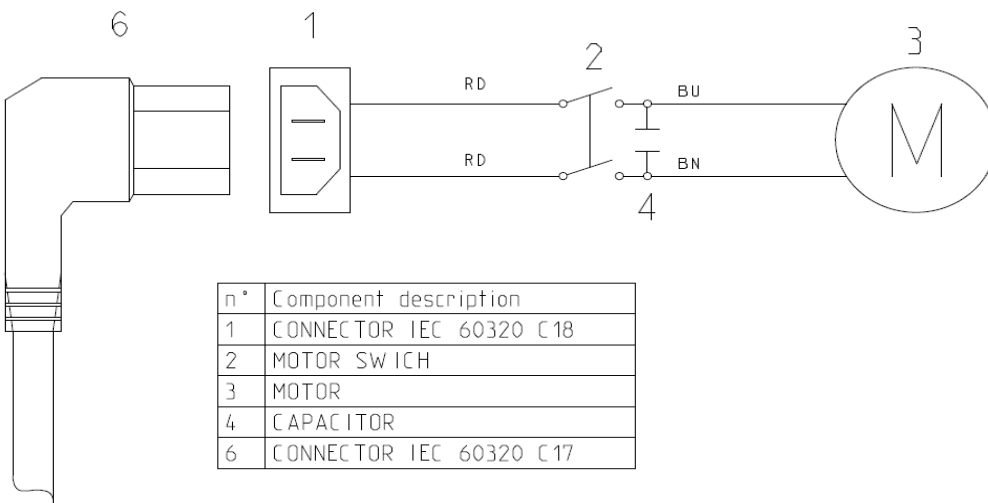
N/A = NOT AVAILABLE SEPARATELY - MUST ORDER KIT

ELECTRICAL DIAGRAMS

NA 120V MODEL



EU/UK/ANZ 220-240V MODELS



JAPAN/CHINA MODELS

