



T581

Rider Floor Scrubber

Parts Manual



Model Part No.:

9021379 - SCRUBBER [T581 55CM EMEA]

9021380 - SCRUBBER [T581 70CM EMEA]

TennantTrue® Parts

Walo Hygiëne en Reinigingssystemen B.V.
0187-605374
welkom@walo.nl
www.walo.nl



9021578
Rev. 01 (07-2021)

Only use TENNANT Company supplied or equivalent parts. Parts and supplies may be ordered online, by phone or from any Tennant Authorized Service Center or Distributor.

Before Ordering any parts or supplies, be sure to have the machine model number and serial number available.

Serial Number Location



TABLE OF CONTENTS

RECOMMENDED SPARE PARTS LIST 3

BRUSHES / PAD DRIVER AND PADS 5

RECOVERY TANK GROUP 6

SOLUTION TANK GROUP 8

SOLUTION TANK DRAIN HOSE GROUP 9

FRAME AND DRIVE WHEEL GROUP 10

SCRUB HEAD GROUP (Single Disk 55cm Model) . 14

SCRUB HEAD GROUP (Dual Disk 70cm Model) .. 16

SQUEEGEE GROUP (55cm Single Disk Model) ... 20

SQUEEGEE GROUP (70cm Dual Disk Model) 22

ELECTRICAL COMPONENT GROUP

(55cm Single Disk Model) 24

ELECTRICAL COMPONENT GROUP

(70cm Dual Disk Model) 28

CONTROL CONSOLE GROUP 32

CHEM DOSE GROUP 34

DRIVE MOTOR BREAKDOWN 35

ELECTRICAL DIAGRAM (55cm Single Disk Model) 36

ELECTRICAL DIAGRAM (70cm Dual Disk Model) . 37

Walo Hygiëne en Reinigingssystemen B.V.
 0187-605374
 welkom@walo.nl
 www.walo.nl



Specifications and parts are subject to change without notice.

Copyright © 2021 TENNANT Company

RECOMMENDED SPARE PARTS LIST

WEAR PARTS (55cm Model)	
PART NO.	DESCRIPTION
9017759	BLADE, SQGE, FRONT, 815L, LINATEX [STANDARD]
9017760	BLADE, SQGE, REAR, 815L, LINATEX [STANDARD]
9017755	BLADE, SQGE, FRONT, 815L, LATEX
9017756	BLADE, SQGE, REAR, 815L, LATEX
9017757	BLADE, SQGE, FRONT, 815L, PYU
9017758	BLADE, SQGE, REAR, 815L, PYU
9017761	BRUSH ASSY, DISK, SCB, 55CM, 3- LUG, PYP [STANDARD]
SPPV01351	BRUSH ASSY, DISK, SCB, 55CM, 3- LUG, PYP, SOFT
9017762	BRUSH ASSY, DISK, ABR, 55CM, 3- LUG, 120 GRIT
9017763	DRIVER ASSY, PAD, 55CM, 3- LUG [OPTION]
SPPV01460	PAD, STRIP, 21.6/550, BROWN[5PC]
SPPV01442	PAD, SCB, 21.6/550, BLU [5PC]
SPPV01433	PAD, BUFF, 21.6/550, RED [5PC]
SPPV01415	PAD, POLISH, 21.6/550, WHITE [5PC]

WEAR PARTS (70cm Model)	
PART NO.	DESCRIPTION
9017813	BLADE, SQGE, FRONT, 1020L, LINATEX [STANDARD]
9017814	BLADE, SQGE, REAR, 1020L, LINATEX [STANDARD]
9017801	BLADE, SQGE, FRONT, 1020L, LATEX
9017804	BLADE, SQGE, REAR, 1020L, LATEX
9017806	BLADE, SQGE, FRONT, 1020L, PYU
9017811	BLADE, SQGE, REAR, 1020L, PYU
9017816	BRUSH ASSY, DISK, SCB, 35CM, 3- LUG, PYP [STANDARD]
9017730	BRUSH ASSY, DISK, SCB, 35CM, 3- LUG, PYP, SOFT
9017818	BRUSH ASSY, DISK, ABR, 35CM, 3- LUG, 120 GRIT
SPPV02664	DRIVER ASSY, PAD, 35CM [OPTION]
994520	PAD, STRIPPING, BROWN [5 PC]
994519	PAD, SCRUBBING, BLUE [5 PC]
994518	PAD, BUFFING, RED [5 PC]
994754	PAD, POLISHING, WHITE [5 PC]

SERVICE PARTS (55cm Model)	
PART NO.	DESCRIPTION
KTRI02249	KIT, SPLASH GUARD [T581 50-55CM]
897383	FLAP, SPLASH GUARD
994201	BATTERY, GEL, 12VDC 105AH [GEL]
9017716	MOTOR, VACUUM, 24VDC, 2- STAGES
9017764	BRUSH, CARBON, VAC FAN
9017765	MOTOR, BRUSH, 24VDC
897500	CIRCUITBOARD, DRIVE

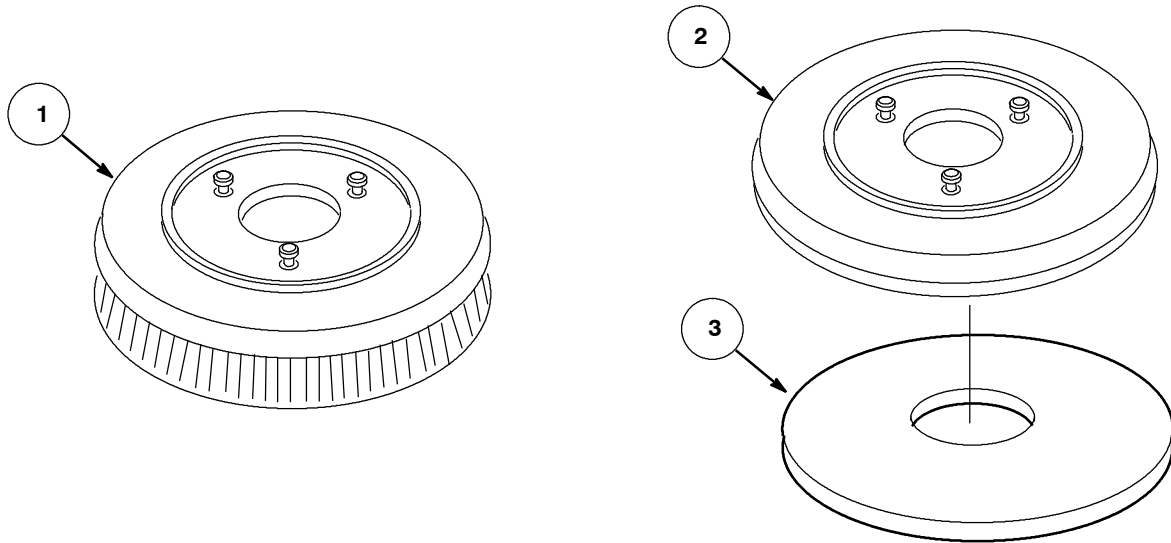
SERVICE PARTS (70cm Model)	
PART NO.	DESCRIPTION
9017838	FLAP, SIDE, SPLASH GUARD
9017841	FLAP, CENTER, SPLASH GUARD
994203	BATTERY, 6VDC 180AH [GEL]
9018509	MOTOR, VACUUM, 24VDC
9017687	BRUSH, CARBON, VAC FAN
9017799	ISOLATOR, VAC FAN
9017843	MOTOR, BRUSH, 24VDC
9017822	CIRCUITBOARD, DRIVE

Continued

RECOMMENDED SPARE PARTS LIST

SERVICE PARTS (55cm & 70cm Models)	
PART NO.	DESCRIPTION
9017686	BRUSH KIT, CARBON, BRUSH MOTOR [4 PC]
9017784	BRUSH, CARBON, TRANSAXLE MOTOR
9018401	GASKET, MOTOR, VACUUM
9017785	FILTER, MOTOR, VAC FAN
9017786	HOSE ASSY, RECOVERY
897466	SCREEN, FILTER
9017790	SENSOR, LEVEL, LIQ
9017793	HOSE ASSY, DRAIN
9017794	CAP KIT, DRAIN HOSE, RECVY
9017795	SENSOR, POSITION, DRIVE
9017718	VALVE, WATER, SOLENOID, 24VDC
9017800	TIRE, SOLID, PYU
9017802	CAP KIT, DRAIN PLUG W/GASKET
9017805	ACTUATOR, BRUSH HEAD, 24VDC
9017803	ACTUATOR, SQGE, 24VDC
9017807	DRIVE ASSY, WHEEL
9017808	BRAKE ASSY, W/LEVER, COMPLT
9017809	WHEEL, SCRBR, 250MM X 60MM
9017815	FUSE 30A
9017817	FUSE 5A
9017819	FUSE 100A
MEVR00584	FUSE 3 A
9017821	CIRCUITBOARD, MAIN
9017823	CIRCUITBOARD, DISPLAY PANEL
897441	COVER, TANK, RECVY
897656	HOSE, DRAIN, SOLTN
1017696	KEY SET, REPLACEMENT
MECB00922	CORD, POWER, CHARGER [EU]
1032820	CORD, POWER, CHARGER [UK]

BRUSHES / PAD DRIVER AND PADS



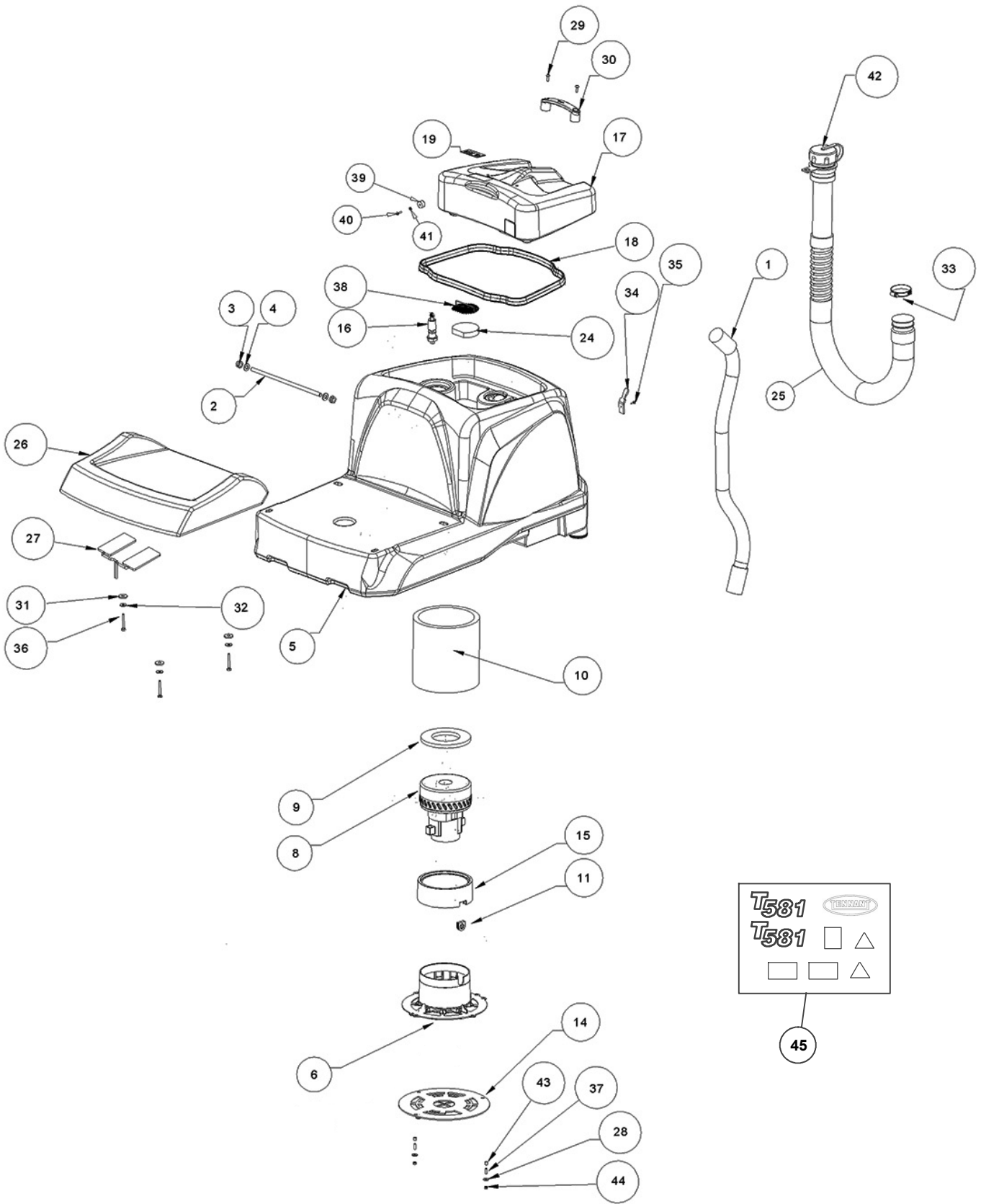
55cm Single Disk Model

Ref.	Part No.	Serial Number	Description	Qty.
1	9017761	(9021379- 00001-) BRUSH ASSY, DISK, SCB, 55CM, PYP (STANDARD)	1
1	SPPV01351	(9021379- 00001-) BRUSH ASSY, DISK, SCB, 55CM, PYP, SOFT	1
1	9017762	(9021379- 00001-) BRUSH ASSY, DISK, ABR, 55CM, 3- LUG, 120 GRIT	1
2	9017763	(9021379- 00001-) DRIVER ASSY, PAD, 55CM, 3- LUG	1
3	SPPV01415	(9021379- 00001-) PAD, POLISH, 55CM, WHITE [QTY 5]	1
3	SPPV01433	(9021379- 00001-) PAD, BUFF, 55CM, RED [QTY 5]	1
3	SPPV01442	(9021379- 00001-) PAD, SCRUB, 55CM, BLUE [QTY 5]	1
3	SPPV01460	(9021379- 00001-) PAD, STRIP, 55CM, BROWN [QTY 5]	1

70cm Dual Disk Model

Ref.	Part No.	Serial Number	Description	Qty.
1	9017816	(9021380- 00001-) BRUSH ASSY, DISK, SCB, 35CM, PYP (STANDARD)	1
1	9017730	(9021380- 00001-) BRUSH ASSY, DISK, SCB, 35CM, PYP, SOFT	1
1	9017818	(9021380- 00001-) BRUSH ASSY, DISK, ABR, 35CM, 3- LUG, 120 GRIT	1
2	SPPV02664	(9021380- 00001-) DRIVER ASSY, PAD, 35CM, 3- LUG	1
3	994754	(9021380- 00001-) PAD, POLISH, 35CM, WHITE [QTY 5]	1
3	994518	(9021380- 00001-) PAD, BUFF, 35CM, RED [QTY 5]	1
3	994519	(9021380- 00001-) PAD, SCRUB, 35CM, BLUE [QTY 5]	1
3	994520	(9021380- 00001-) PAD, STRIP, 35CM, BROWN [QTY 5]	1

RECOVERY TANK GROUP

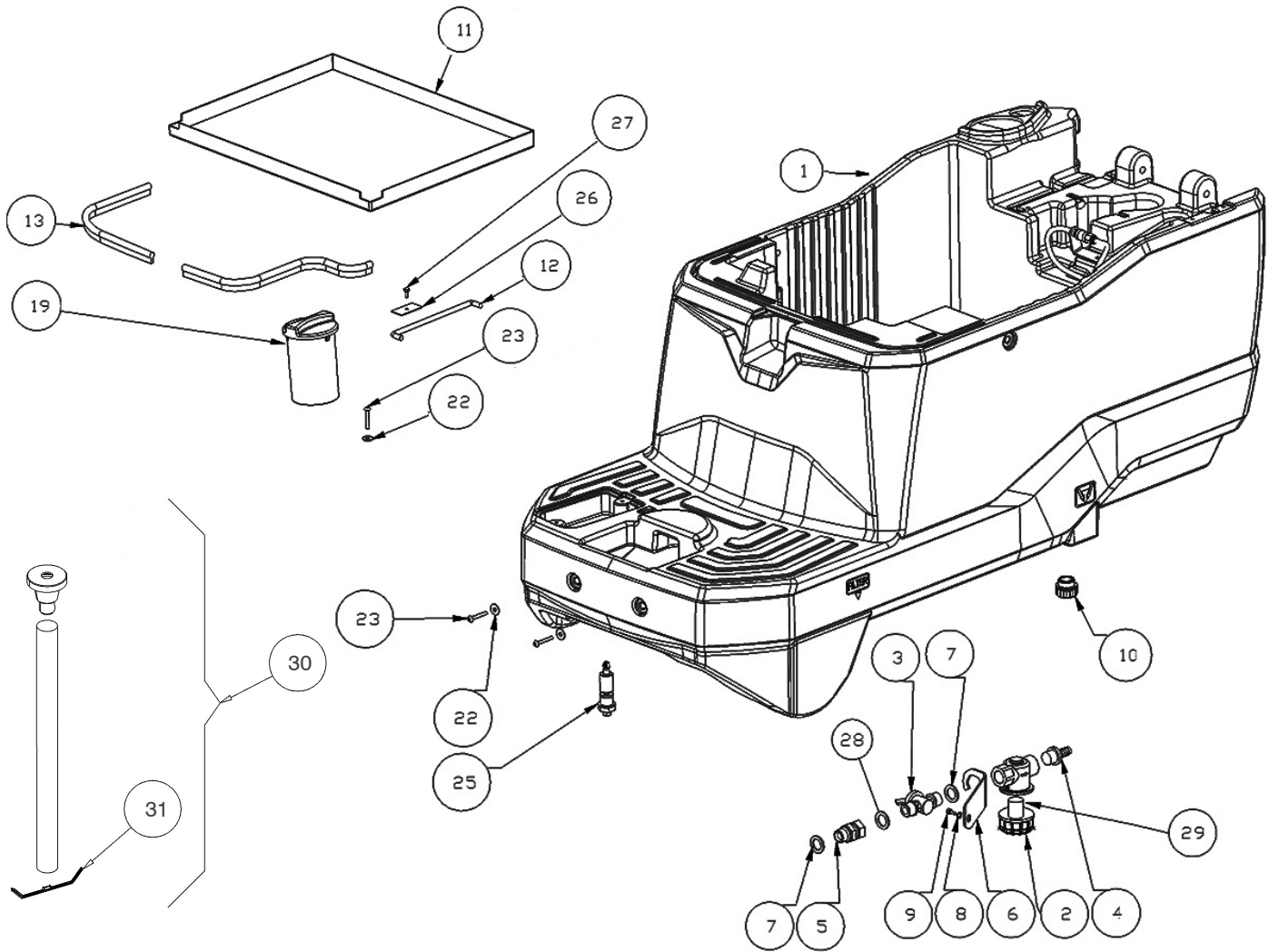


RECOVERY TANK GROUP

Ref.	Part No.	Serial Number	Description	Qty.
1	9017786	(90213xx- 00001) HOSE ASSY, RECVY	1
2	897430	(90213xx- 00001) PIN, 10D X 275L	1
3	897431	(90213xx- 00001) NUT AUTOBL.M10 INOX DIN 985	2
4	897432	(90213xx- 00001) WASHER, D. 10X21, UNI6592, INOX	2
5	MPVR12901	(90213xx- 00001) TANK RECOVERY PT80 BLUE	1
6	897434	(9021379- 00001) BRACKET, HSGN, FAN (T581 55cm Model)	1
6	897552	(9021380- 00001) BRACKET, HSGN, FAN (T581 70cm Dual Disk Model)	1
8	9017716	(9021379- 00001) FAN, VACUUM, 24VDC, 2- STAGE (T581 55cm Model)	1
	9017764	(9021379- 00001) CARBON BRUSH, MOTOR, VAC (Motor 9017716)	1
8	9018509	(9021380- 00001) FAN, VACUUM, 24VDC, 3- STAGE (T581 70cm Model)	1
	9017687	(9021380- 00001) CARBON BRUSH, MOTOR, VAC (Motor 9018509)	1
9	9018401	(90213xx- 00001) GASKET, MOTOR, VACUUM	1
10	897437	(90213xx- 00001) INSULATION, FAN	1
11	897438	(90213xx- 00001) FAIRLEAD, 13,5D	1
14	897439	(90213xx- 00001) COVER, FAN	1
15	897440	(90213xx- 00001) GASKET, RBR, FAN	1
16	9017790	(90213xx- 00001) SENSOR, LEVEL, LIQ	1
17	897441	(90213xx- 00001) COVER, TANK, RECVY [2180]	1
18	897657	(90213xx- 00001) GASKET PT80 TANK LID	1
19	897443	(90213xx- 00001) LABEL [FILTER]	1
24	9017785	(90213xx- 00001) FILTER, MOTOR, VACFAN	1
25	9017793	(90213xx- 00001) HOSE ASSY, DRAIN	1
26	897444	(90213xx- 00001) SEAT [2180SR]	1
27	897445	(90213xx- 00001) SWITCH, SENSOR, SEAT	1
28	897384	(90213xx- 00001) WASHER D. 5X14 INX	3
29	897446	(90213xx- 00001) SCREW TBEI M 6- 16	2
30	897447	(90213xx- 00001) HANDLE, COVER	1
31	897315	(90213xx- 00001) RUBBER LAV.	4
32	897112	(90213xx- 00001) WASHER D. 6X18 INX UNI 6593	4
33	897448	(90213xx- 00001) CLAMP, HOSE, WORMDRIVE, 45 - 60D	1
34	897449	(90213xx- 00001) HANGER, HOSE	1
35	897151	(90213xx- 00001) SCREW TE M 4X 10 INX	1
36	897450	(90213xx- 00001) SCREW TE M 6x45 INOX	4
37	VTVT00916	(90213xx- 00001) SCREW	3
38	897451	(90213xx- 00001) NET	1
39	897452	(90213xx- 00001) CAP	1
40	897453	(90213xx- 00001) SCREW TE M4x12 UNI 5739 INOX	1
41	897156	(90213xx- 00001) WASHER D. 4 INX	1
42	9017794	(90213xx- 00001) CAP KIT, DRAIN HOSE, RECVY	1
43	897146	(90213xx- 00001) SPACER	3
44	VTDD01693	(90213xx- 00001) NUT, M5, INOX	3
45	KTRI06354	(90213xx- 00001) LABEL KIT, T581	1

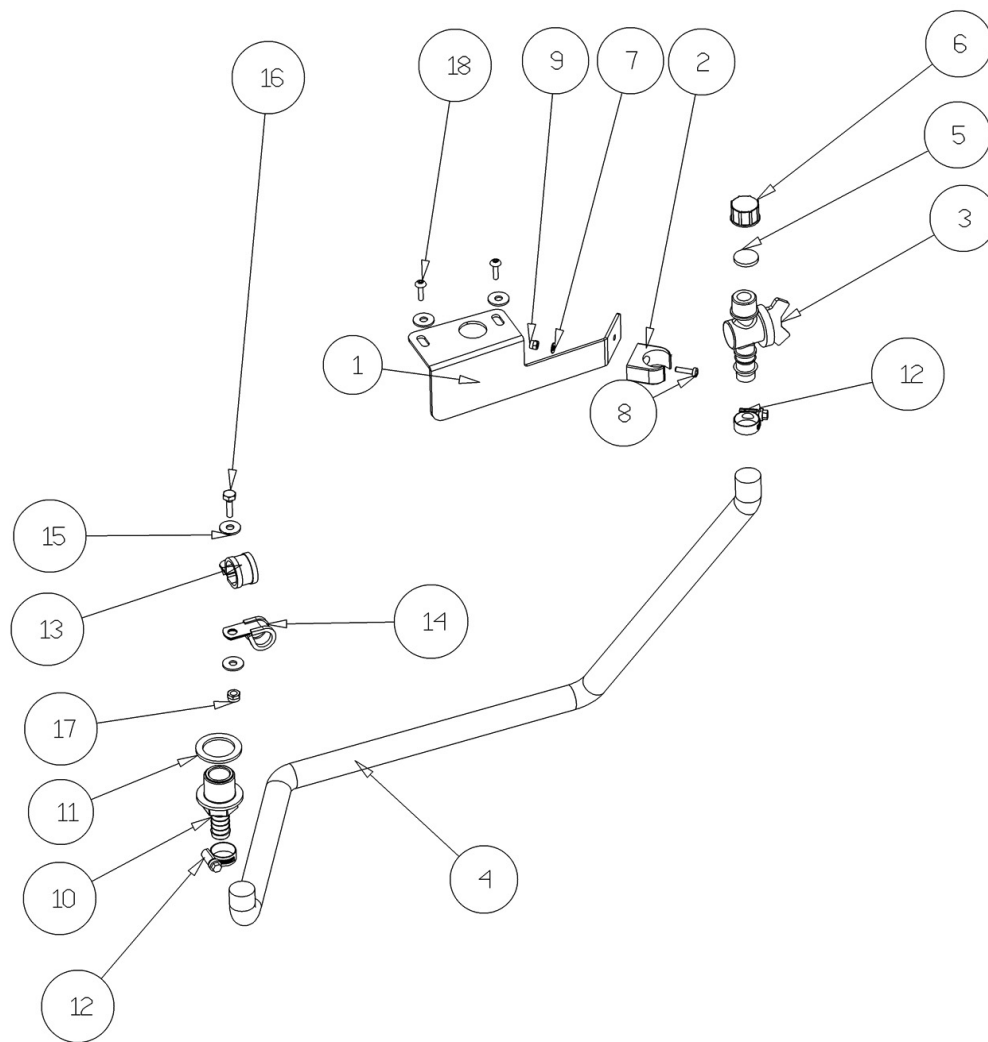
PARTS LIST

SOLUTION TANK GROUP



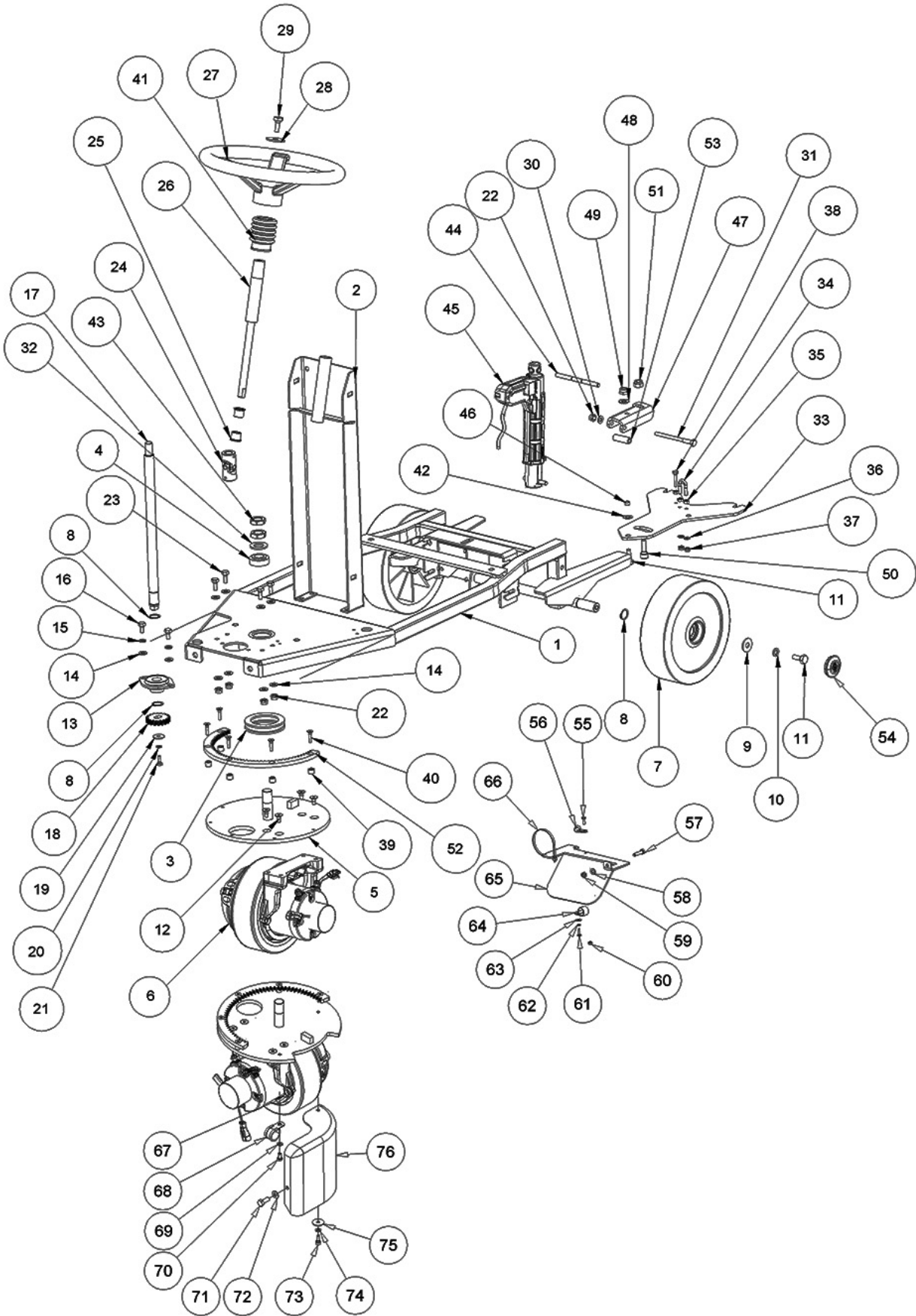
Ref.	Part No.	Serial Number	Description	Qty.
1	897454	(90213xx- 00001)	TANK, SOLTN	1
2	9017787	(90213xx- 00001)	SCREEN, SOLTN	1
3	9018454	(90213xx- 00001)	WATER, VALVE, SOLTN	1
4	897455	(90213xx- 00001)	CONNECTOR 1/2 M RESCA 15	1
5	897456	(90213xx- 00001)	CONNECTOR 1/2" M/F	1
6	897457	(90213xx- 00001)	BRACKET, WATER, FTLR	1
7	897458	(90213xx- 00001)	WASHER 1/2	2
8	897384	(90213xx- 00001)	WASHER D. 5X14 INX	1
9	897459	(90213xx- 00001)	SCREW, M5X12, TE, INOX	1
10	9017802	(90213xx- 00001)	CAP KIT, DRAIN PLUG W/GASKET	1
11	897460	(90213xx- 00001)	TRAY, BATTERY, D.490X394X30	1
12	897461	(90213xx- 00001)	ROD, SPPT, TANK	1
13	897462	(90213xx- 00001)	SEAL, SOLTN, TANK	1
19	897463	(90213xx- 00001)	CAP, SOLTN, TANK	1
22	897120	(90213xx- 00001)	WASHER, D.8X24, UNI6593, INOX	2
23	897243	(90213xx- 00001)	SCREW TE M8x35 UNI5739 INOX	2
25	9017790	(90213xx- 00001)	SENSOR, LEVEL, LIQ	1
26	897464	(90213xx- 00001)	BRACKET, ROD	1
27	897658	(90213xx- 00001)	SCREW M 5X 12 TSPEI UNI 5933	1
28	897465	(90213xx- 00001)	SEAL, ORG, 15,08D X 2,62 TH	1
29	897466	(90213xx- 00001)	SCREEN, FILTER	1
30	KTRI02248	(90213xx- 00001)	KIT, FILL HOSE [T581]	1
31	897587	(90213xx- 00001)	PLATE, HOSE RETAINER	1

SOLUTION TANK DRAIN HOSE GROUP



Ref.	Part No.	Serial Number	Description	Qty.
1	897358	(90213xx- 00001) BRACKET, DRAIN, VALVE	1
2	897266	(90213xx- 00001) CLIP, M25	1
3	897271	(90213xx- 00001) CONNECTOR 1/2 M RESCA 15	1
4	897656	(90213xx- 00001) HOSE, DRAIN, SOLTN	1
5	897270	(90213xx- 00001) GASKET D.21 SP.3 GOMMA	1
6	897269	(90213xx- 00001) CAP 1/2" G X ELETTR. ACL	1
7	897156	(90213xx- 00001) WASHER D. 4 INX	1
8	897359	(90213xx- 00001) SCREW, TCTC, M4X16, ACCIAIO, INOX	1
9	897160	(90213xx- 00001) NUT, M4, INOX, ZN	1
10	897360	(90213xx- 00001) FITTING, PLASTIC, 3/4	1
11	897361	(90213xx- 00001) CRANKCASE FRONTALE 705 GRIGIO	1
12	897362	(90213xx- 00001) CLAMP, HOSE, WORMDRIVE, 12- 20D	2
13	897363	(90213xx- 00001) FAIR, LEAD	1
14	897364	(90213xx- 00001) CLAMP, STL, 16D, INSULATED	1
15	897112	(90213xx- 00001) WASHER D. 6X18 INX UNI 6593	4
16	897287	(90213xx- 00001) SCREW TE 6X20 UNI5739 INX	1
17	897138	(90213xx- 00001) NUT M6 INOX	1
18	897329	(90213xx- 00001) SCREW, TBEI, M5x16, INOX	2

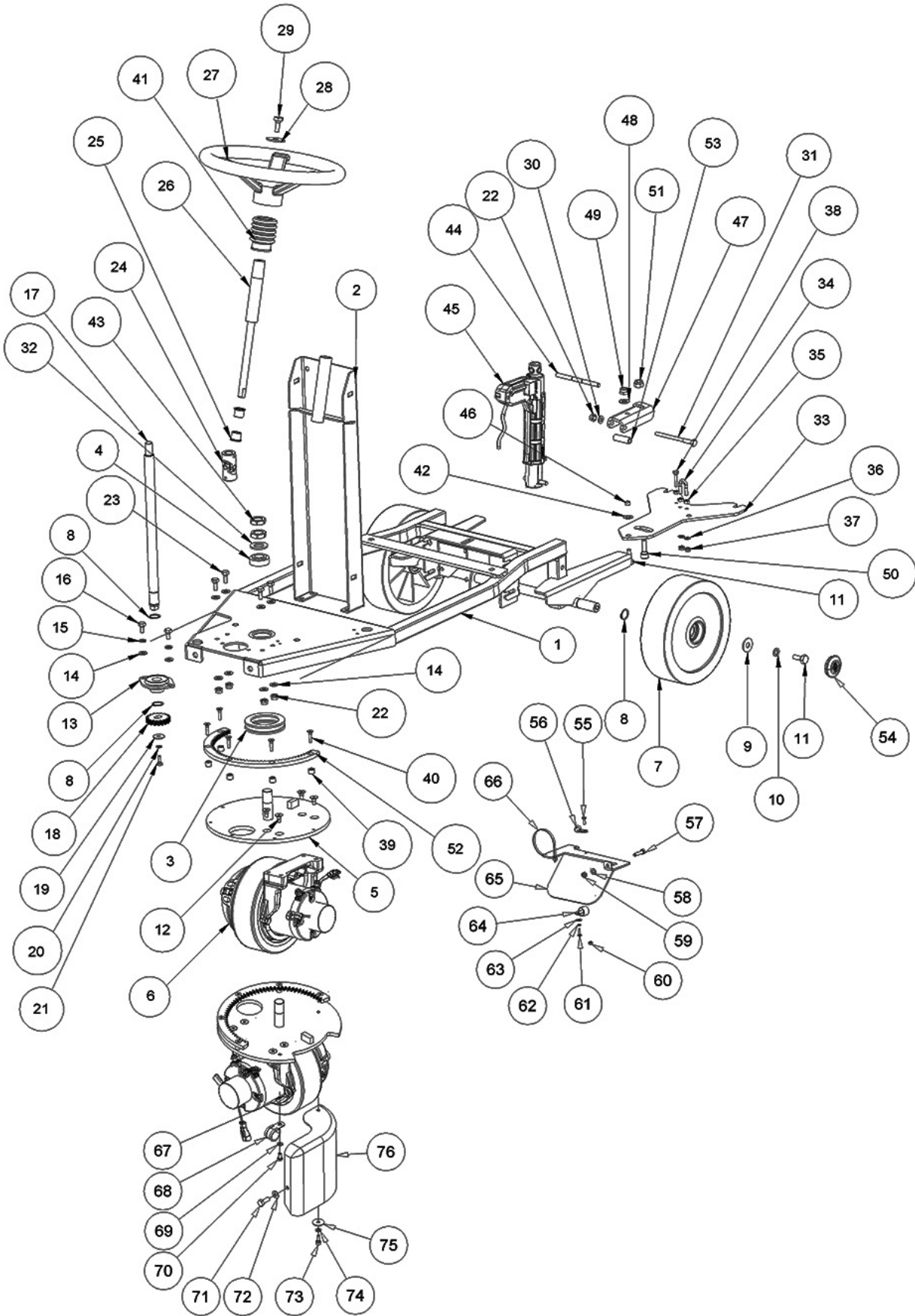
FRAME AND DRIVE WHEEL GROUP



FRAME AND DRIVE WHEEL GROUP

Ref.	Part No.	Serial Number	Description	Qty.
1	897386	(90213xx- 00001) FRAME [2180SR]	1
2	897387	(90213xx- 00001) SUPPORT, WDLT, STEERING	1
3	897388	(90213xx- 00001) BEARING 51112	1
4	897389	(90213xx- 00001) BEARING 32004 TIPO SKF	1
5	897390	(90213xx- 00001) PLATE, RND, STEERING, CONTROL	1
6	9017807	(90213xx- 00001) DRIVE ASSY, WHEEL	1
7	9017809	(90213xx- 00001) WHEEL, SCRBR, 250MM X 60MM	2
8	897280	(90213xx- 00001) CIRCLIP, D. 20, UNI7435	2
9	897391	(90213xx- 00001) WASHER D.10	2
10	897392	(90213xx- 00001) WASHER D.10	2
11	897393	(90213xx- 00001) SCREW, TE, M10X25, UNI5740	2
12	897394	(90213xx- 00001) SCREW, TSPEI, M8X16	4
13	897283	(90213xx- 00001) SUPPORT	1
14	897152	(90213xx- 00001) WASHER, D.8, UNI6592, INOX	2
15	897216	(90213xx- 00001) WASHER, D. 8, GRW, UNI1751, INOX	2
16	897184	(90213xx- 00001) SCREW, TE, M8X16, UNI5739, A2	2
17	897395	(90213xx- 00001) SHAFT, STEERING	1
18	897396	(90213xx- 00001) SPROCKET, STEERING	1
19	897305	(90213xx- 00001) WASHER, M6X24, UNI6593, INOX	1
20	897129	(90213xx- 00001) WASHER D. 6 INX GRW UNI 1751	1
21	897128	(90213xx- 00001) SCREW TE 6X16 UNI5739	1
22	VTDD01701	(90213xx- 00001) NUT, M8, INOX	4
23	897316	(90213xx- 00001) SCREW, TE, M8X20, UNI5739, INOX	4
24	897397	(90213xx- 00001) JOINT, STEERING	1
25	897398	(90213xx- 00001) BUSHING, 15B 24D 17.5	2
26	897399	(90213xx- 00001) SHAFT, STEERING, WHEEL	1
27	897400	(90213xx- 00001) WHEEL, STEERING 320MM	1
28	897401	(90213xx- 00001) WASHER, M10X40X2,5, UNI6593, ZB	1
29	897402	(90213xx- 00001) SCREW, TE, M10X20, UNI5739	1
30	897157	(90213xx- 00001) WASHER NYLON 66 D. 84X17X2	2
31	897403	(90213xx- 00001) SCREW, TE, M8X100	1
32	897288	(90213xx- 00001) WASHER, UNI6592, FORO 20, INOX	1
33	897404	(90213xx- 00001) CHANNEL, ARM, SQGE	1
34	897251	(90213xx- 00001) BRACKET, M6X11X29	1
35	897405	(90213xx- 00001) NUT M 6 A2 UNI 5588 INX	2
36	897106	(90213xx- 00001) WASHER D.6 UNI 6592 INOX	2
37	897138	(90213xx- 00001) NUT M6 INOX	2
38	897287	(90213xx- 00001) SCREW TE 6X20 UNI5739 INX	1
39	897406	(90213xx- 00001) SPACER, RND, 6,5B 12D 10	5
40	897407	(90213xx- 00001) SCREW M6X25 TSPEI UNI5933	5
41	897408	(90213xx- 00001) BELLOWS, SHAFT, STEERING	1
42	897409	(90213xx- 00001) SPRING D.10.2 X20	1
43	897410	(90213xx- 00001) NUT, HEX, M20 X 1,5	2
44	897380	(90213xx- 00001) PIN, ACTUATOR, 8D X 115L	1
45	9017803	(90213xx- 00001) ACTUATOR, SQGE, 24VDC	1
46	897411	(90213xx- 00001) SPACER, RND, 8B 10D 5,9	1
47	897412	(90213xx- 00001) SUPPORT	1
48	897152	(90213xx- 00001) WASHER, D.8, UNI6592, INOX	1
49	VTDD01701	(90213xx- 00001) NUT, M8, INOX	1
50	897413	(90213xx- 00001) SCREW, TCEI, M10X30	1

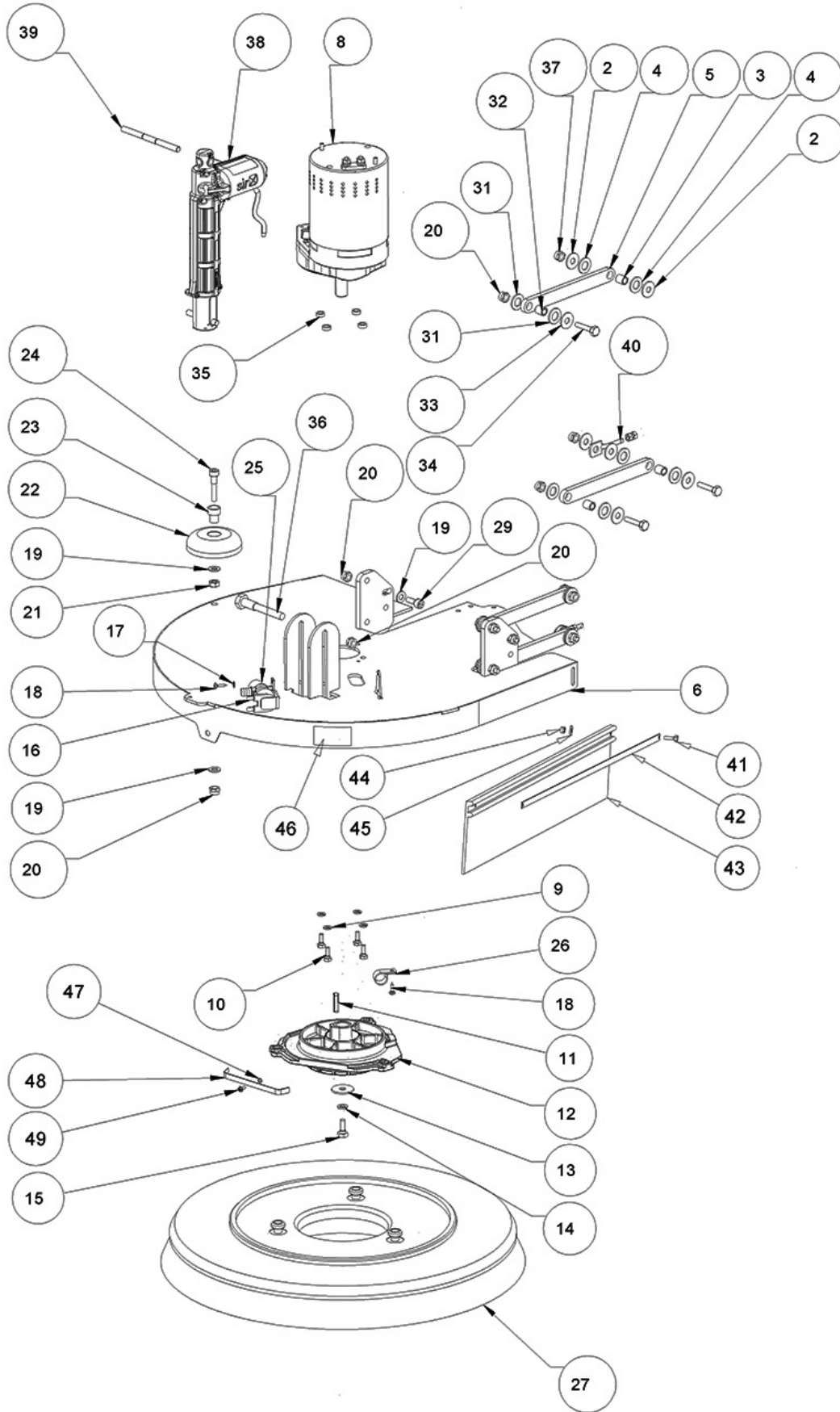
FRAME AND DRIVE WHEEL GROUP - Continued



FRAME AND DRIVE WHEEL GROUP - Continued

Ref.	Part No.	Serial Number	Description	Qty.
51	897414	(90213xx- 00001) NUT M10 INOX	1
52	897415	(90213xx- 00001) BRAKE	1
53	897416	(90213xx- 00001) SPACER	1
54	897417	(90213xx- 00001) CAP, WHEEL, PYP	2
55	897453	(90213xx- 00001) SCREW TE M4x12 UNI 5739 INOX	1
56	897334	(90213xx- 00001) DUCT LOCK D.9,5	1
57	897532	(90213xx- 00001) SCREW TE M 6X 25 UNI 5739 INX	1
58	897106	(90213xx- 00001) WASHER D.6 UNI 6592 INOX	1
59	897105	(90213xx- 00001) NUT M6 INOX+ZIN.	1
60	897276	(90213xx- 00001) NUT M 4 ATB A2	1
61	897262	(90213xx- 00001) SCREW, M4X16	1
62	897204	(90213xx- 00001) WASHER D. 4 GROVER A2 UNI1751	1
63	VTRS00017	(90213xx- 00001) WASHER STEEL INOX 4X12	1
64	897137	(90213xx- 00001) CLAMP FERMATUBO	1
65	MPVR12940	(90213xx- 00001) GUIDE	1
66	FSVR00049	(90213xx- 00001) CLAMP 4,5x200 black	1
67	897556	(90213xx- 00001) FAIR, LEAD DIAMETER 15.5	1
68	897363	(90213xx- 00001) FAIR, LEAD	1
69	897129	(90213xx- 00001) WASHER D. 6 INX GRW UNI 1751	1
70	897130	(90213xx- 00001) SCREW, TE, M6X12, UNI5739, A2	1
71	897316	(90213xx- 00001) SCREW, TE, M8X20, UNI5739, INOX	1
72	897152	(90213xx- 00001) WASHER, D.8, UNI6592, INOX	1
73	897352	(90213xx- 00001) SCREW, TCEI, M.6X16	1
74	897129	(90213xx- 00001) WASHER D. 6 INX GRW UNI 1751	1
75	897305	(90213xx- 00001) WASHER, M6X24, UNI6593, INOX	1
76	MPVR12936	(90213xx- 00001) CRANKCASE .	1

SCRUB HEAD GROUP (Single Disk 55cm Model)



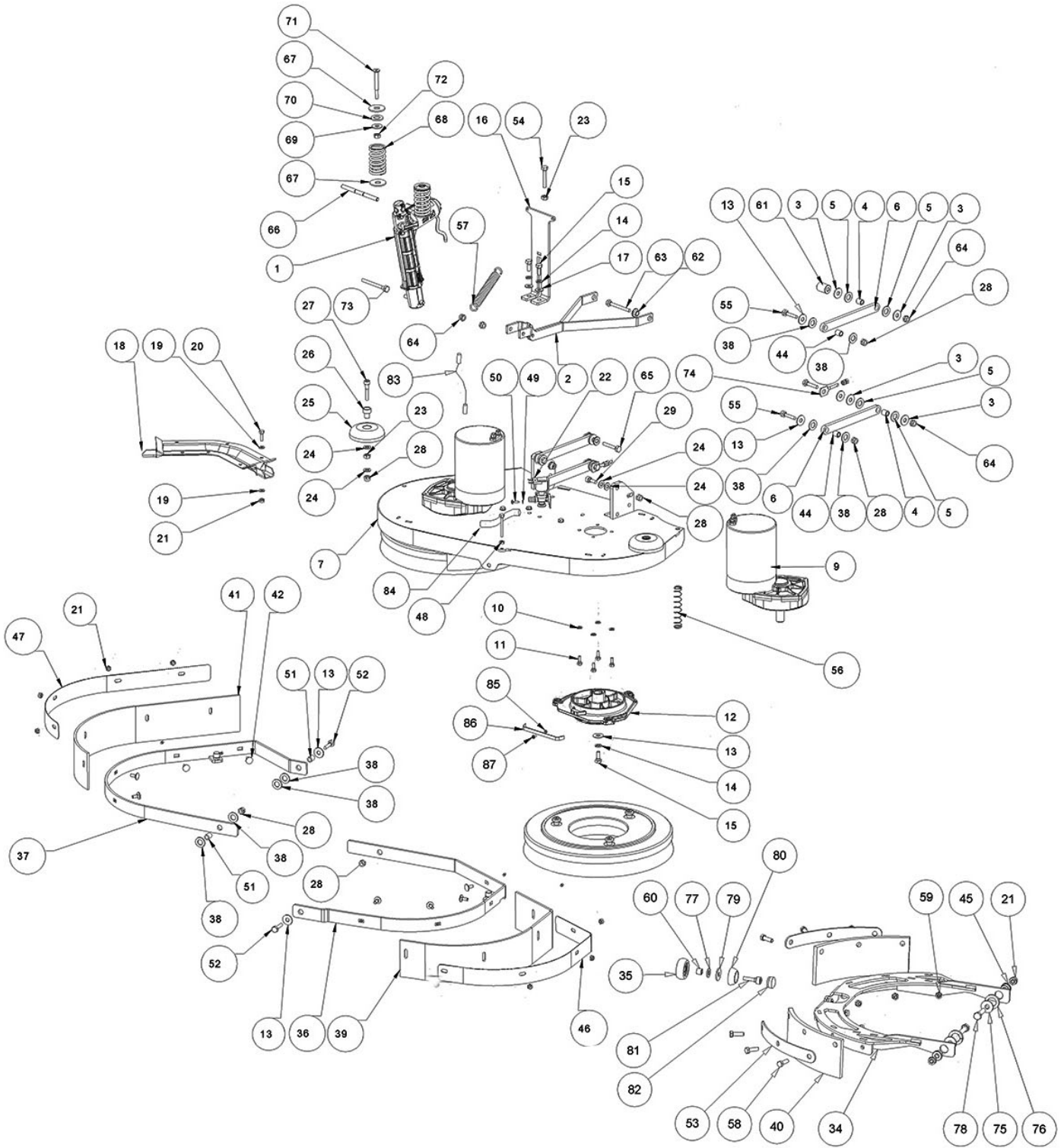
SCRUB HEAD GROUP (Single Disk 55cm Model)

Ref.	Part No.	Serial Number	Description	Qty.
2	897120	(9021379- 00001) WASHER, D.8X24, UNI6593, INOX	4
3	897370	(9021379- 00001) BUSHING, 8B 12D 14	2
4	897371	(9021379- 00001) WASHER, 13B 24D 2,5, NYL	2
5	897372	(9021379- 00001) PLAT, ARM, SCB HEAD	4
6	897373	(9021379- 00001) HEAD, SCB, 500MM	1
∇8	9017765	(9021379- 00001) MOTOR, BRUSH, 24VDC	1
	9017686	(9021379- 00001) CARBON BRUSH KIT, MOTOR, BRUSH [4 PC]	1
▲	MOCC00480	(9021379- 00001) MOTOR, BRUSH	1
▲	RDGR00052	(9021379- 00001) REDUCTION UNIT, BRUSH MOTOR	1
9	897129	(9021379- 00001) WASHER D. 6 INX GRW UNI 1751	4
10	897287	(9021379- 00001) SCREW TE 6X20 UNI5739 INX	4
11	VTVR16617	(9021379- 00001) WEDGE 6X 6X30 UNI 6604	1
12	KTRI06333	(9021379- 00001) HUB KIT, DRIVE, BRUSH, DISK [Includes items 47,48,49]	1
13	897375	(9021379- 00001) WASHER, D. 8 X32, UNI6593, INOX	1
14	897216	(9021379- 00001) WASHER, D. 8, GRW, UNI1751, INOX	1
15	897316	(9021379- 00001) SCREW, TE, M8X20, UNI5739, INOX	1
16	9017718	(9021379- 00001) VALVE, WATER, SOLENOID, 24VDC	1
17	897156	(9021379- 00001) WASHER D. 4 INX	2
18	897262	(9021379- 00001) SCREW, M4X16	3
19	897152	(9021379- 00001) WASHER, D.8, UNI6592, INOX	6
20	VTDD01701	(9021379- 00001) NUT, M8, INOX	5
21	897229	(9021379- 00001) NUT, M8, UNI5588, INOX, A2	1
22	897376	(9021379- 00001) WHEEL, BPMR, 80D X 22W	1
23	897121	(9021379- 00001) BUSHING NUOVO RUOTINO STRONG	1
24	897311	(9021379- 00001) SCREW, M8X40	1
25	897256	(9021379- 00001) TUBE FLEX D.12X3 ARMORV.PVC TR	1
26	897137	(9021379- 00001) CLAMP FERMATUBO	1
27	9017761	(9021379- 00001) BRUSH ASSY, DISK, SCB, 55CM, 3- LUG, PYP	1
29	897377	(9021379- 00001) SCREW TCEI M8X20 UNI5931 INOX	2
31	897371	(9021379- 00001) WASHER, 13B 24D 2,5, NYL	8
32	897370	(9021379- 00001) BUSHING, 8B 12D 14	4
33	897120	(9021379- 00001) WASHER, D.8X24, UNI6593, INOX	4
34	897243	(9021379- 00001) SCREW TE M8x35 UNI5739 INOX	4
35	897378	(9021379- 00001) BUSHING, 8B 12D 4,3	4
36	897379	(9021379- 00001) SCREW, TE, M8X80	1
37	VTDD01701	(9021379- 00001) NUT, M8, INOX	4
38	9017805	(9021379- 00001) ACTUATOR, BRUSH HEAD, 24VDC	1
39	897380	(9021379- 00001) PIN, ACTUATOR, 8D X 115L	1
40	LAFN47168	(9021379- 00001) BELT- STRETCHER ALTERNATOR TK1400	2
∇	KTRI02249	(9021379- 00001) KIT, GUARD, SPLASH	1
▲41	897145	(9021379- 00001) SCREW TE 5X16 UNI5739 INX	3
▲42	897382	(9021379- 00001) BRACKET	1
▲43	897383	(9021379- 00001) FLAP	1
▲44	VTDD01693	(9021379- 00001) NUT, M5, INOX	3
▲45	897384	(9021379- 00001) WASHER D. 5X14 INX	3
▲46	897385	(9021379- 00001) DRIVE DISK TESTATA	2
47	897204	(9021379- 00001) WASHER D. 4 GROVER A2 UNI1751	1
48	MLML00350	(9021379- 00001) SPRING ALUM. CONICAL DRIVER	1
49	897313	(9021379- 00001) SCREW, TCB, TC, M4X10	1

∇ KIT

▲ INCLUDED IN KIT

SCRUB HEAD GROUP (Dual Disk 70cm Model)



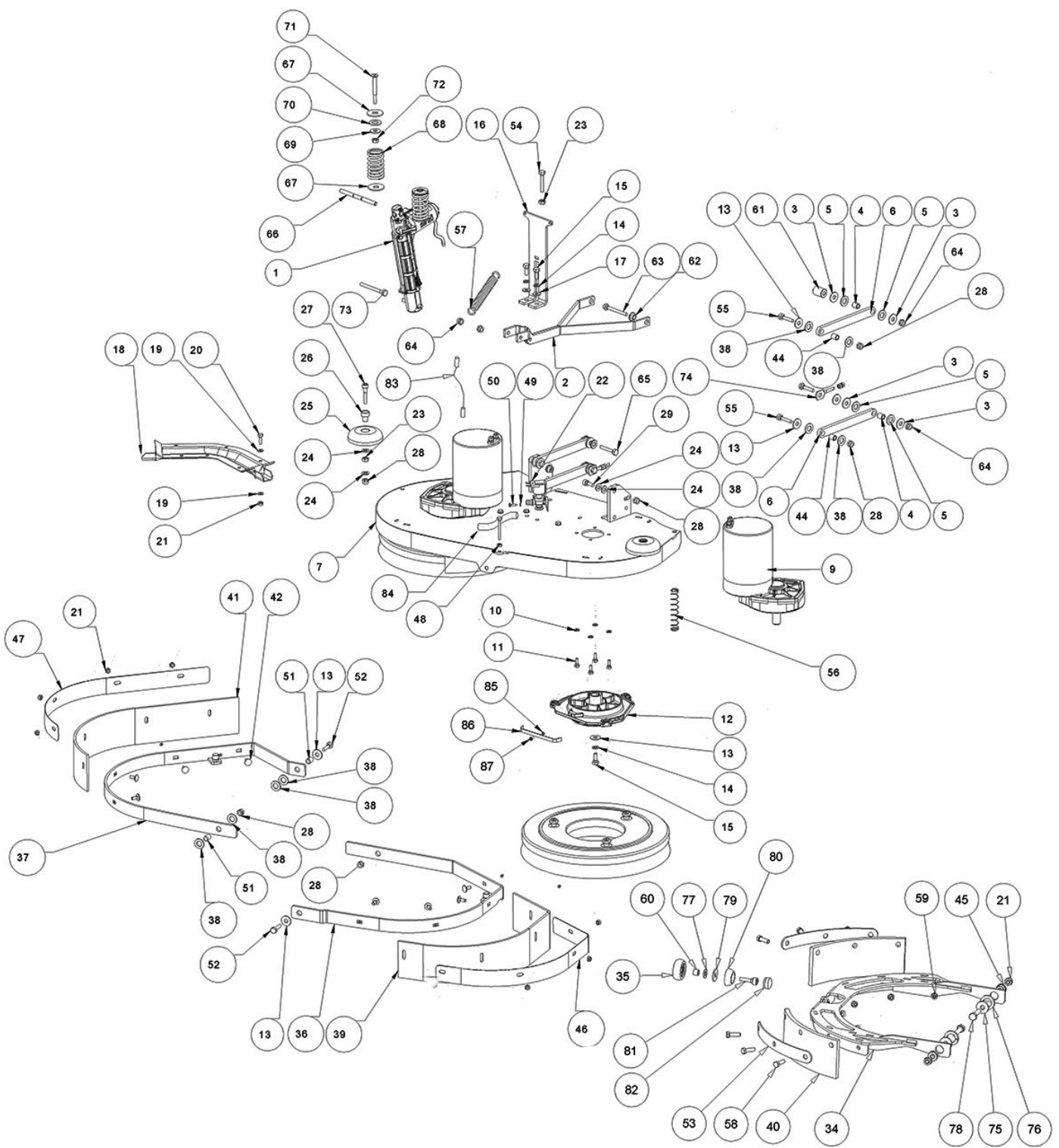
SCRUB HEAD GROUP (Dual Disk 70cm Model)

Ref.	Part No.	Serial Number	Description	Qty.
1	9017805	(9021380- 00001) ACTUATOR, BRUSH HEAD, 24VDC	1
2	897517	(9021380- 00001) ARM, ACTUATOR	1
3	897120	(9021380- 00001) WASHER, D.8X24, UNI6593, INOX	8
4	897370	(9021380- 00001) BUSHING, 8B 12D 14	4
5	897371	(9021380- 00001) WASHER, 13B 24D 2,5, NYL	4
6	897372	(9021380- 00001) PLAT, ARM, SCB HEAD	4
7	LAFN09311	(9021380- 00001) HEAD, SCB, 700MM	1
∇9	9017843	(9021380- 00001) MOTOR, BRUSH, 24VDC	2
	9017686	(9021380- 00001) CARBON BRUSH KIT, BRUSH MOTOR [4 PC]	1
▲	-	(9021380- 00001) ROTOR, MOTOR, BRUSH	1
▲	RDGR00043	(9021380- 00001) REDUCTION UNIT, BRUSH MOTOR	1
10	897129	(9021380- 00001) WASHER D. 6 INX GRW UNI 1751	8
11	897128	(9021380- 00001) SCREW TE 6X16 UNI5739	8
12	KTRI06334	(9021380- 00001) HUB, DRIVE, BRUSH, DISK	2
13	897375	(9021380- 00001) WASHER, D. 8 X32, UNI6593, INOX	2
14	897216	(9021380- 00001) WASHER, D. 8, GRW, UNI1751, INOX	2
15	897316	(9021380- 00001) SCREW, TE, M8X20, UNI5739, INOX	2
16	897520	(9021380- 00001) BRACKET	1
17	897112	(9021380- 00001) WASHER D. 6X18 INX UNI 6593	4
18	MPVR07147	(9021380- 00001) CONVEYOR	1
19	897106	(9021380- 00001) WASHER D.6 UNI 6592 INOX	12
20	897287	(9021380- 00001) SCREW TE 6X20 UNI5739 INX	4
21	897138	(9021380- 00001) NUT M6 INOX	6
22	9017718	(9021380- 00001) VALVE, WATER, SOLENOID, 24VDC	1
23	897229	(9021380- 00001) NUT, M8, UNI5588, INOX, A2	2
24	897152	(9021380- 00001) WASHER, D.8, UNI6592, INOX	2
25	897376	(9021380- 00001) WHEEL, BPMR, 80D X 22W	2
26	897121	(9021380- 00001) BUSHING NUOVO RUOTINO STRONG	2
27	897311	(9021380- 00001) SCREW, M8X40	2
28	VTDD01701	(9021380- 00001) NUT, M8, INOX	2
34	897523	(9021380- 00001) BRACKET	2
35	897524	(9021380- 00001) BEARING, BALL, 8B 30D 11W [2SEAL]	2
36	LAFN09313	(9021380- 00001) BRACKET SX LEFT	1
37	LAFN09312	(9021380- 00001) BRACKET DX	1
38	897371	(9021380- 00001) WASHER, 13B 24D 2,5, NYL	4
39	9017838	(9021380- 00001) FLAP, BRUSH	1
40	9017841	(9021380- 00001) FLAP, BRUSH, INSIDE	4
41	9017838	(9021380- 00001) FLAP, BRUSH	1
42	897525	(9021380- 00001) SCREW, TBEI, M5X35	8
44	897370	(9021380- 00001) BUSHING, 8B 12D 14	4
45	897545	(9021380- 00001) BUSHING	4
46	LAFN09394	(9021380- 00001) BRACKET LEFT	1
47	LAFN09395	(9021380- 00001) BRACKET RIGHT	1
48	897250	(9021380- 00001) NUT, M6, UNI5589, INOX	2
49	897156	(9021380- 00001) WASHER D. 4 INX	2
50	897262	(9021380- 00001) SCREW, M4X16	2
51	897526	(9021380- 00001) BUSHING, SLEEVE, 8B 12D 15L	2
52	897530	(9021380- 00001) SCREW, TE, M8X30, UNI5737, INOX	2
53	897527	(9021380- 00001) STRAP, SQGE, INSIDE	4
54	897244	(9021380- 00001) SCREW, TE, M8X45, INOX, A2	1
55	897243	(9021380- 00001) SCREW TE M8x35 UNI5739 INOX	2

∇ KIT

▲ INCLUDED IN KIT

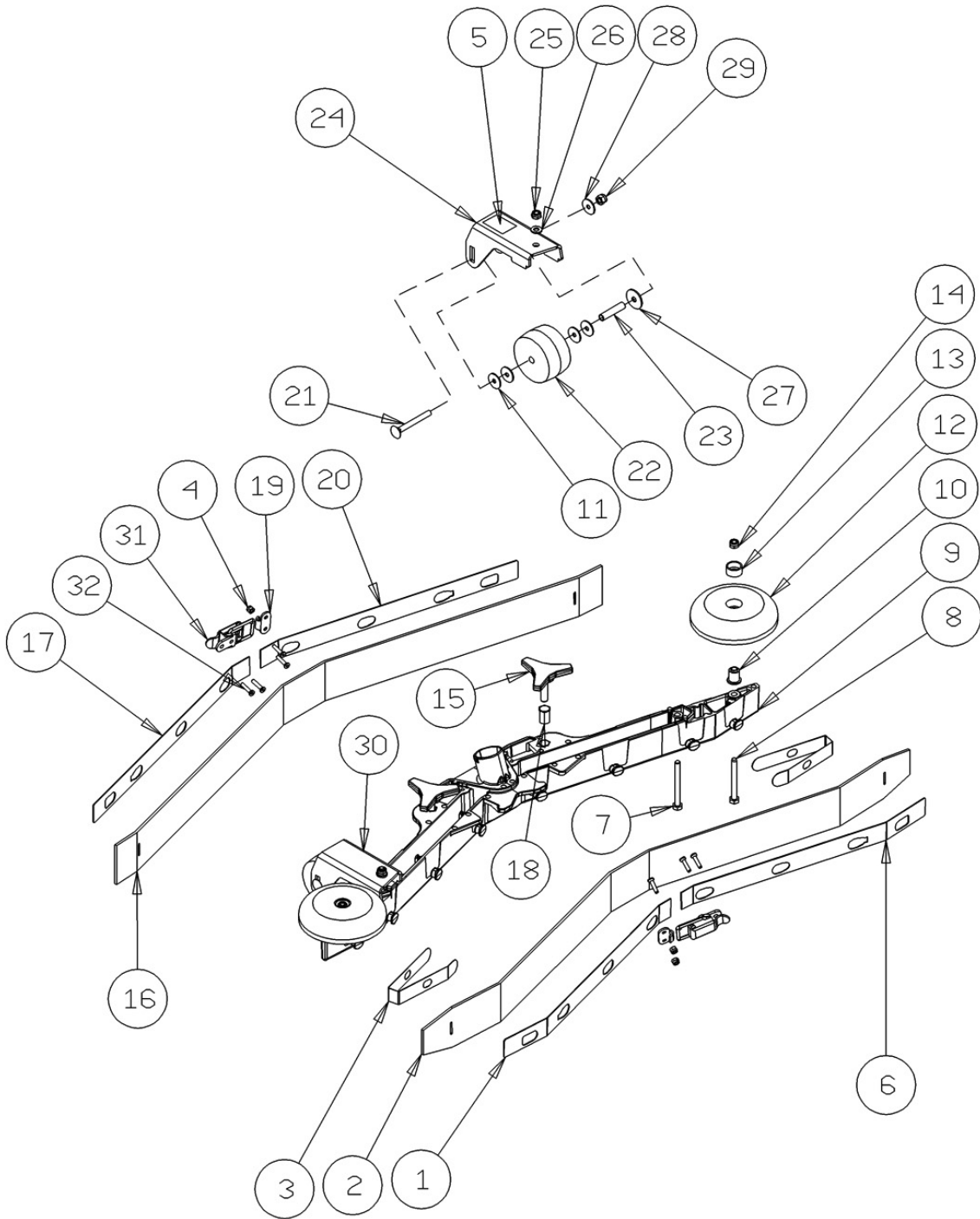
SCRUB HEAD GROUP (Dual Disk 70cm Model) - Continued



SCRUB HEAD GROUP (Dual Disk 70cm Model) - Continued

Ref.	Part No.	Serial Number	Description	Qty.
56	897531	(9021380- 00001) SPRING	2
57	897533	(9021380- 00001) SPRING	1
58	897145	(9021380- 00001) SCREW TE 5X16 UNI5739 INX	12
59	VTDD01693	(9021380- 00001) NUT, M5, INOX	12
60	897231	(9021380- 00001) BUSHING	2
61	897534	(9021380- 00001) SPACER	1
62	897218	(9021380- 00001) BUSHING BRUSH DECK SUPPORT	2
63	897535	(9021380- 00001) SCREW	1
64	897229	(9021380- 00001) NUT, M8, UNI5588, INOX, A2	2
65	897536	(9021380- 00001) SCREW, TE, M.8X40	1
66	897380	(9021380- 00001) PIN, ACTUATOR, 8D X 115L	1
67	897247	(9021380- 00001) WASHER, D. 12X36X2.5, UNI6593	2
68	897537	(9021380- 00001) SPRING	2
69	897120	(9021380- 00001) WASHER, D.8X24, UNI6593, INOX	2
70	897538	(9021380- 00001) WASHER D.14	2
71	897539	(9021380- 00001) SCREW, TSPEI, M8x70, UNI5933	2
72	897229	(9021380- 00001) NUT, M8, UNI5588, INOX, A2	2
73	897243	(9021380- 00001) SCREW TE M8x35 UNI5739 INOX	1
74	LAFN47168	(9021380- 00001) BELT- STRETCHER ALTERNATOR	2
75	897112	(9021380- 00001) WASHER D. 6X18 INX UNI 6593	4
76	897544	(9021380- 00001) WASHER, D.12, GROVER, UNI1751, INOX	4
77	897106	(9021380- 00001) WASHER D.6 UNI 6592 INOX	2
78	897532	(9021380- 00001) SCREW TE M 6X 25 UNI 5739 INX	4
79	897112	(9021380- 00001) WASHER D. 6X18 INX UNI 6593	2
80	897541	(9021380- 00001) COVER	2
81	897542	(9021380- 00001) SCREW TCEI M6X20 UNI5931 INOX	2
82	897543	(9021380- 00001) COVER	2
83	MECB01373	(9021380- 00001) EXTENSION	1
84	897256	(9021380- 00001) TUBE FLEX D.12X3 ARMORV.PVC TR	0,60
85	897204	(9021380- 00001) WASHER D. 4 GROVER A2 UNI1751	2
86	MLML00350	(9021380- 00001) SPRING ALUM. CONICAL DRIVER	2
87	897313	(9021380- 00001) SCREW, TCB, TC, M4X10	2

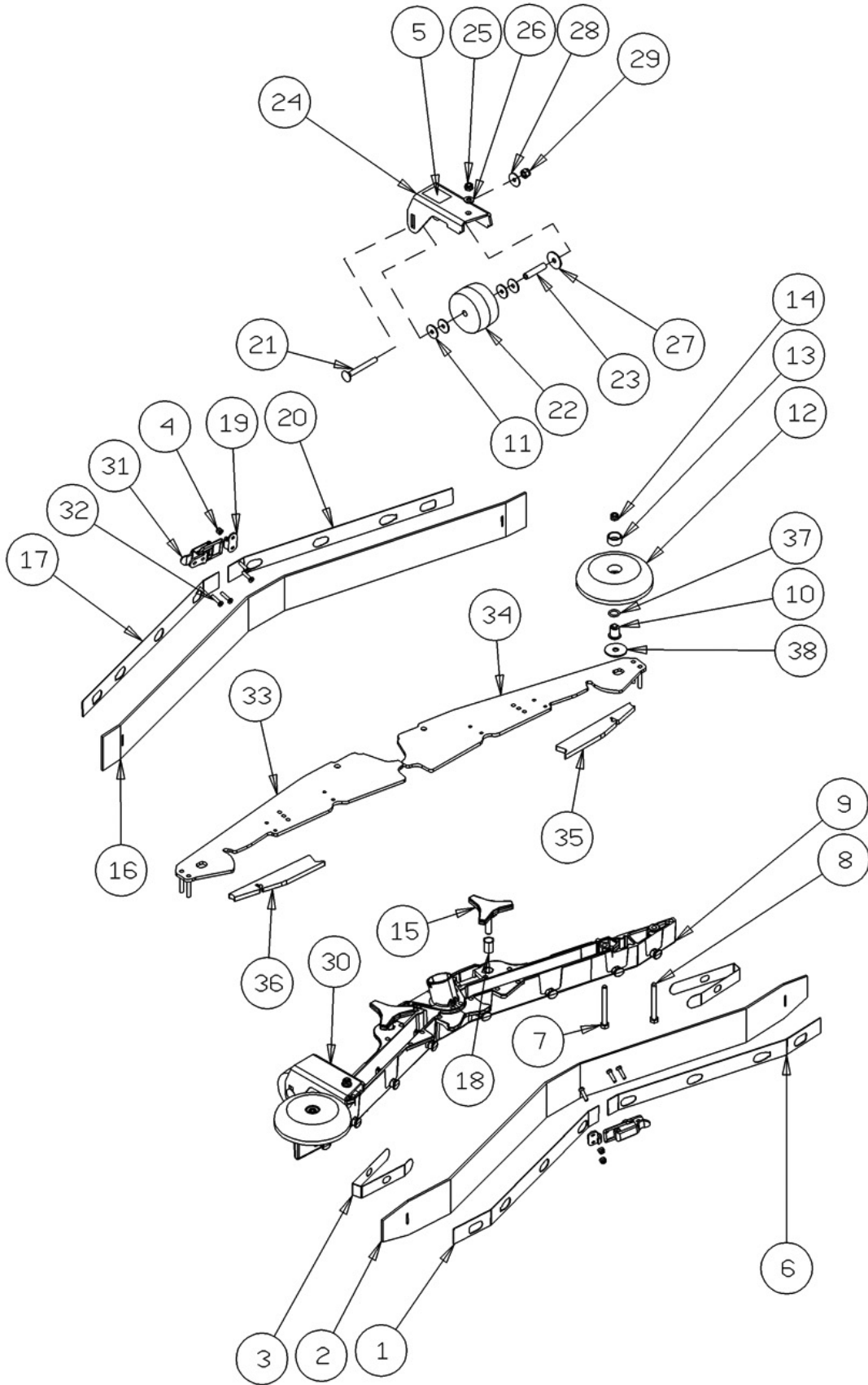
SQUEEGEE GROUP (55cm Single Disk Model)



SQUEEGEE GROUP (55cm Single Disk Model)

Ref.	Part No.	Serial Number	Description	Qty.
1	897418	(9021379- 00001) STRAP, SQGE, XS, FRONT, RH	1
2	9017759	(9021379- 00001) BLADE, SQGE, FRONT, 815L, LINATEX (STANDARD)	1
2	9017757	(9021379- 00001) BLADE, SQGE, FRONT, 815L, PYU (OPTION)	1
2	9017755	(9021379- 00001) BLADE, SQGE, FRONT, 815L, LATEX (OPTION)	1
3	897116	(9021379- 00001) CLOSURE S	2
4	9018496	(9021379- 00001) NUT M 3 AUTOBL.DIN 985 IX.A2	8
5	897419	(9021379- 00001) LABEL	2
6	897420	(9021379- 00001) STRAP, SQGE, XS, FRONT, LH	1
7	897421	(9021379- 00001) SCREW TE M6X60 UNI5739 INOX	2
8	897422	(9021379- 00001) SCREW, TE, M.6X55	2
9	897423	(9021379- 00001) FRAME, SQGE, XS	1
10	897103	(9021379- 00001) SPACER, 6.00b 12.00d 16.5l, CPR	2
11	897157	(9021379- 00001) WASHER NYLON 66 D. 84X17X2	4
12	897376	(9021379- 00001) WHEEL, BPMR, 80D X 22W	2
13	897100	(9021379- 00001) SLEEVE, NYLON, 0,314b 0,72d 0,35l	2
14	897138	(9021379- 00001) NUT M6 INOX	2
15	9018577	(9021379- 00001) KNOB, SQGE, 3EAR	2
16	9017760	(9021379- 00001) BLADE, SQGE, REAR, 815L, LINATEX (STANDARD)	1
16	9017758	(9021379- 00001) BLADE, SQGE, REAR, 815L, PYU (OPTION)	1
16	9017756	(9021379- 00001) BLADE, SQGE, REAR, 815L, LATEX (OPTION)	1
17	897424	(9021379- 00001) STRAP, SQGE, XS, REAR, RH	1
18	9018578	(9021379- 00001) BUSHING, INSERT, SQGE	2
19	9018495	(9021379- 00001) HOOK, STRAP, SQGE	2
20	897425	(9021379- 00001) STRAP, SQGE, XS, REAR, LH	1
21	897426	(9021379- 00001) SCREW, M6X55	2
22	9018501	(9021379- 00001) WHEEL, 59,2D 22W 8,4B, GRAY	2
23	897427	(9021379- 00001) SPACER, RND, 6B 8D 34,5L	2
24	897428	(9021379- 00001) BRACKET, WHEEL, SQGE, LH	1
25	897138	(9021379- 00001) NUT M6 INOX	2
26	897106	(9021379- 00001) WASHER D.6 UNI 6592 INOX	2
27	897305	(9021379- 00001) WASHER, M6X24, UNI6593, INOX	2
28	897112	(9021379- 00001) WASHER D. 6X18 INX UNI 6593	2
29	897125	(9021379- 00001) NUT, M6, INOX	2
30	897429	(9021379- 00001) BRACKET, WHEEL, SQGE, RH	1
31	9018492	(9021379- 00001) LATCH, STRAP, SQGE	2
32	9018497	(9021379- 00001) BOLT, STRAP, SQGE	8

SQUEEGEE GROUP (70cm Dual Disk Model)

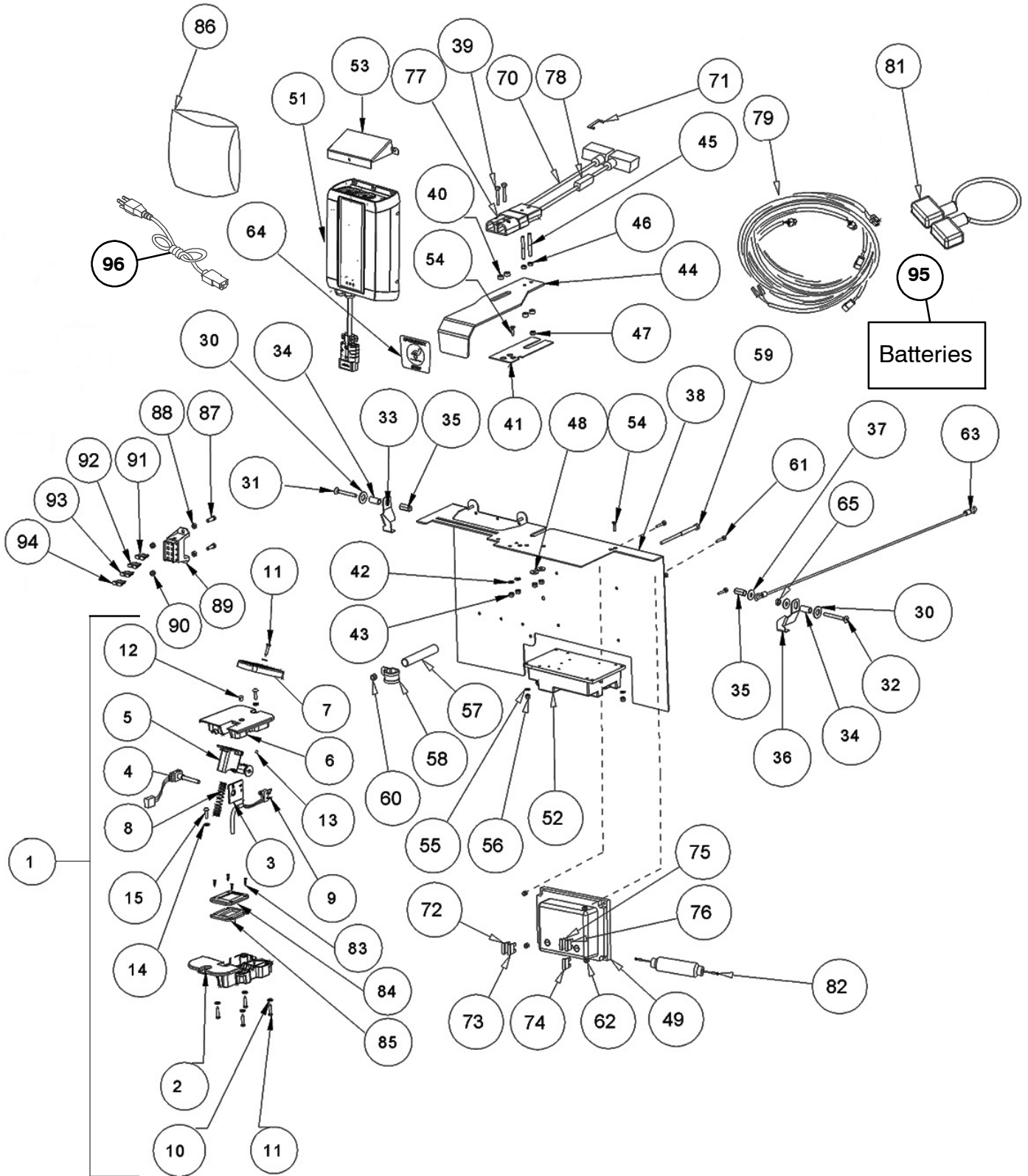


SQUEEGEE GROUP (70cm Dual Disk Model)

Ref.	Part No.	Serial Number	Description	Qty.
1	897613	(9021380- 00001) STRAP, SQGE, L, FRONT, RH	1
2	9017813	(9021380- 00001) BLADE, SQGE, FRONT, 1020L, LINATEX (STANDARD)	1
2	9017801	(9021380- 00001) BLADE, SQGE, FRONT, 1020L, PYU (OPTION)	1
2	9017806	(9021380- 00001) BLADE, SQGE, FRONT, 1020L, LATEX (OPTION)	1
3	897307	(9021380- 00001) CLOSURE L	2
4	9018496	(9021380- 00001) NUT M 3 AUTOBL.DIN 985 IX.A2	8
5	897419	(9021380- 00001) LABEL	2
6	897620	(9021380- 00001) STRAP, SQGE, L, FRONT, LH	1
7	897114	(9021380- 00001) SCREW, M6X65, SS	2
8	897114	(9021380- 00001) SCREW, M6X65, SS	2
9	897547	(9021380- 00001) BODY	1
10	897103	(9021380- 00001) SPACER, 6.00b 12.00d 16.5l, CPR	2
11	897157	(9021380- 00001) WASHER NYLON 66 D. 84X17X2	4
12	897101	(9021380- 00001) WHEEL, BMPR, 98,5d X 21,5W	2
13	897100	(9021380- 00001) SLEEVE, NYLON, 0,314b 0,72d 0,35l	2
14	897138	(9021380- 00001) NUT M6 INOX	2
15	9018577	(9021380- 00001) KNOB, SQGE, 3EAR	2
16	9017814	(9021380- 00001) BLADE, SQGE, REAR, 1020L, LINATEX (STANDARD)	1
16	9017806	(9021380- 00001) BLADE, SQGE, REAR, 1020L, PYU (OPTION)	1
16	9017804	(9021380- 00001) BLADE, SQGE, REAR, 1020L, LATEX (OPTION)	1
17	897654	(9021380- 00001) STRAP, SQGE, L, REAR, LH	1
18	9018578	(9021380- 00001) BUSHING, INSERT, SQGE	2
19	9018495	(9021380- 00001) HOOK, STRAP, SQGE	2
20	897654	(9021380- 00001) STRAP, SQGE, L, REAR, LH	1
21	897426	(9021380- 00001) SCREW, M6X55	2
22	9018501	(9021380- 00001) WHEEL, 59,2D 22W 8,4B, GRAY	2
23	897427	(9021380- 00001) SPACER, RND, 6B 8D 34,5L	2
24	897548	(9021380- 00001) SUPPORT, SX	1
25	897138	(9021380- 00001) NUT M6 INOX	2
26	897106	(9021380- 00001) WASHER D.6 UNI 6592 INOX	2
27	897305	(9021380- 00001) WASHER, M6X24, UNI6593, INOX	2
28	897112	(9021380- 00001) WASHER D. 6X18 INX UNI 6593	2
29	897125	(9021380- 00001) NUT, M6, INOX	2
30	897549	(9021380- 00001) SUPPORT, DX	1
31	9018492	(9021380- 00001) LATCH, STRAP, SQGE	2
32	9018497	(9021380- 00001) BOLT, STRAP, SQGE	8
33	897550	(9021380- 00001) PLATE	1
34	897551	(9021380- 00001) PLATE	1
35	897304	(9021380- 00001) GASKET	1
36	897303	(9021380- 00001) GASKET	1
37	897102	(9021380- 00001) O- RING, 13.00 Od X 10.00 Id	2
38	897305	(9021380- 00001) WASHER, M6X24, UNI6593, INOX	2

PARTS LIST

ELECTRICAL COMPONENT GROUP (55cm Single Disk Model)

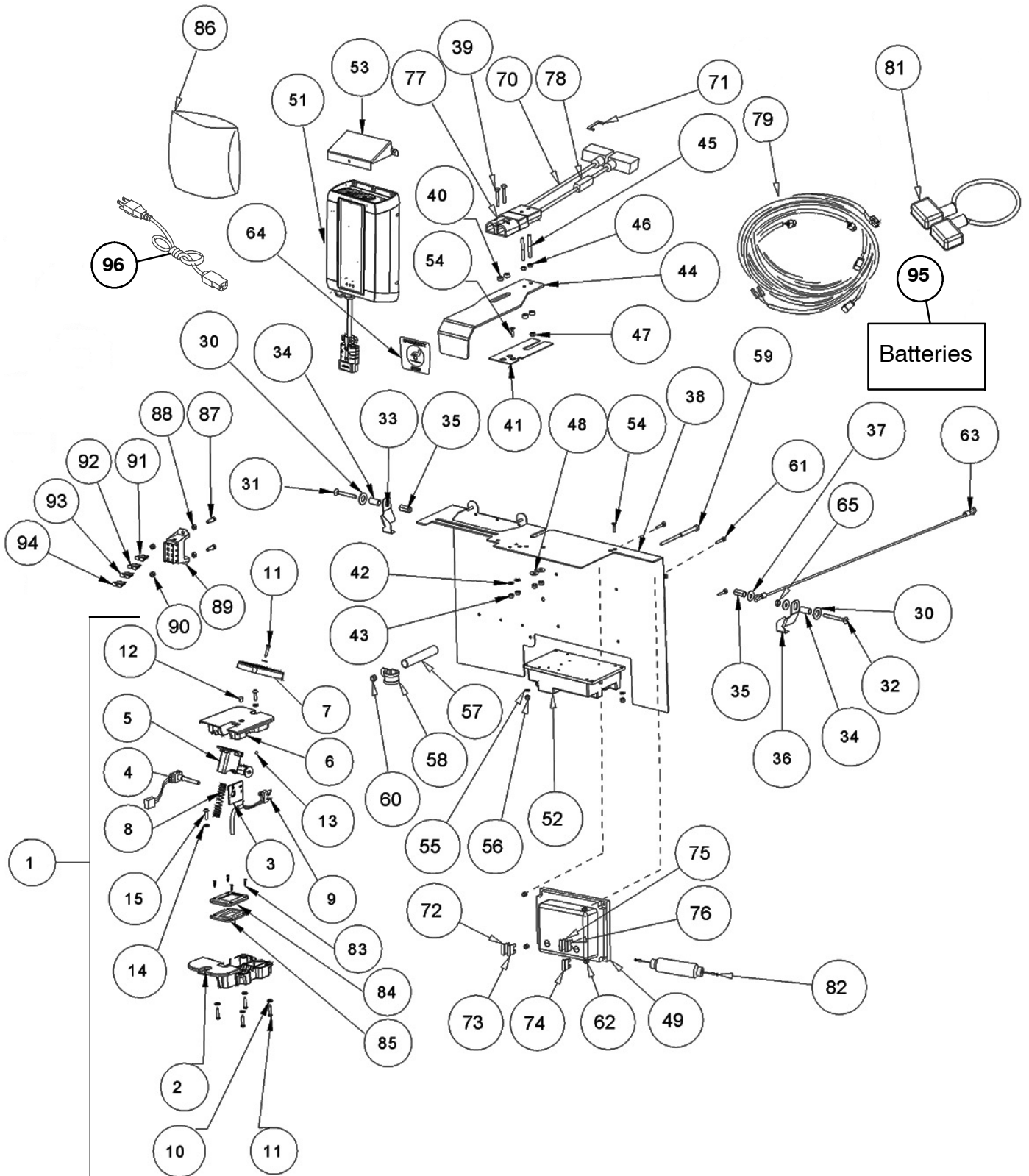


ELECTRICAL COMPONENT GROUP (55cm Single Disk Model)

Ref.	Part No.	Serial Number	Description	Qty.
1	KTRI05250	(9021379- 00001) THROTTLE, PEDAL, KIT [Includes items 2- 14 & 83- 85]	1
2	MPVR11937	(9021379- 00001) BASE, ACCELERATOR	1
3	N/A	(9021379- 00001) PLATE	1
4	9017795	(9021379- 00001) SENSOR, POSITION, DRIVE	1
5	MPVR11940	(9021379- 00001) SUPPORT, ACCELERATOR	1
6	MPVR11938	(9021379- 00001) COVER, ACCELERATOR	1
7	MPVR11939	(9021379- 00001) PEDAL, ACCELERATOR	1
8	9017810	(9021379- 00001) SPRING, PEDAL	1
9	9017797	(9021379- 00001) SWITCH, ACCELERATOR	1
10	897166	(9021379- 00001) WASHER, D. 5, INOX	4
11	VTVT48694	(9021379- 00001) SCREW TCB TC 5 X12 UNI 9707 TZ	4
12	897474	(9021379- 00001) CAP D.6	1
13	897475	(9021379- 00001) GRUB, SCREW, M4X8	1
14	897166	(9021379- 00001) WASHER, D. 5, INOX	1
15	897476	(9021379- 00001) SCREW, M5X16, TBCE, ISO7380, ZB	1
30	897432	(9021379- 00001) WASHER, D. 10X21, UNI6592, INOX	2
31	897486	(9021379- 00001) SCREW M6X45 TSPEI UNI5933	1
32	897487	(9021379- 00001) SCREW, TSPEI, M6X50, UNI5933	1
33	897488	(9021379- 00001) BRACKET	1
34	897489	(9021379- 00001) SPACER	2
35	897490	(9021379- 00001) RIVET	2
36	897491	(9021379- 00001) BRACKET	1
37	897106	(9021379- 00001) WASHER D.6 UNI 6592 INOX	1
38	897659	(9021379- 00001) BRACKET, MTG, CIRCUITBOARD	1
39	897492	(9021379- 00001) SCREW, TE, M5X30, UNI5739	2
40	897493	(9021379- 00001) SPACER	2
41	897494	(9021379- 00001) PLATE	1
42	897166	(9021379- 00001) WASHER, D. 5, INOX	2
43	VTDD01693	(9021379- 00001) NUT, M5, INOX	2
44	897495	(9021379- 00001) LEVER	1
45	897496	(9021379- 00001) PIN	2
46	897497	(9021379- 00001) NUT, M5, INOX	2
48	897384	(9021379- 00001) WASHER D. 5X14 INX	2
49	897498	(9021379- 00001) BOARD POWER SERVICE	1
51	BACA00178	(9021379- 00001) BATTERY- CHARGER NE284 24V 15A GEL- AGM- AC.	1
52	897500	(9021379- 00001) BOARD	1
53	LAFN09326	(9021379- 00001) CONVEYOR	1
54	897502	(9021379- 00001) SCREW, M4X16, TSPEI, UNI5933	2
55	897156	(9021379- 00001) WASHER D. 4 INX	2
56	897276	(9021379- 00001) NUT M 4 ATB A2	2
57	897503	(9021379- 00001) TUBE	1
58	897363	(9021379- 00001) FAIR, LEAD	1
59	897504	(9021379- 00001) SCREW TE M6X100 UNI5739	1
60	897138	(9021379- 00001) NUT M6 INOX	1
61	897195	(9021379- 00001) SCREW, TE, M4X16, UNI5739, INOX	4
62	897160	(9021379- 00001) NUT, M4, INOX, ZN	4
63	897505	(9021379- 00001) CABLE	1
64	897506	(9021379- 00001) LABEL	1
65	897250	(9021379- 00001) NUT, M6, UNI5589, INOX	1
70	897509	(9021379- 00001) CABLE BATTERY, ANDERSON+FUS.	1

PARTS LIST

ELECTRICAL COMPONENT GROUP (55cm Single Disk Model) - Continued

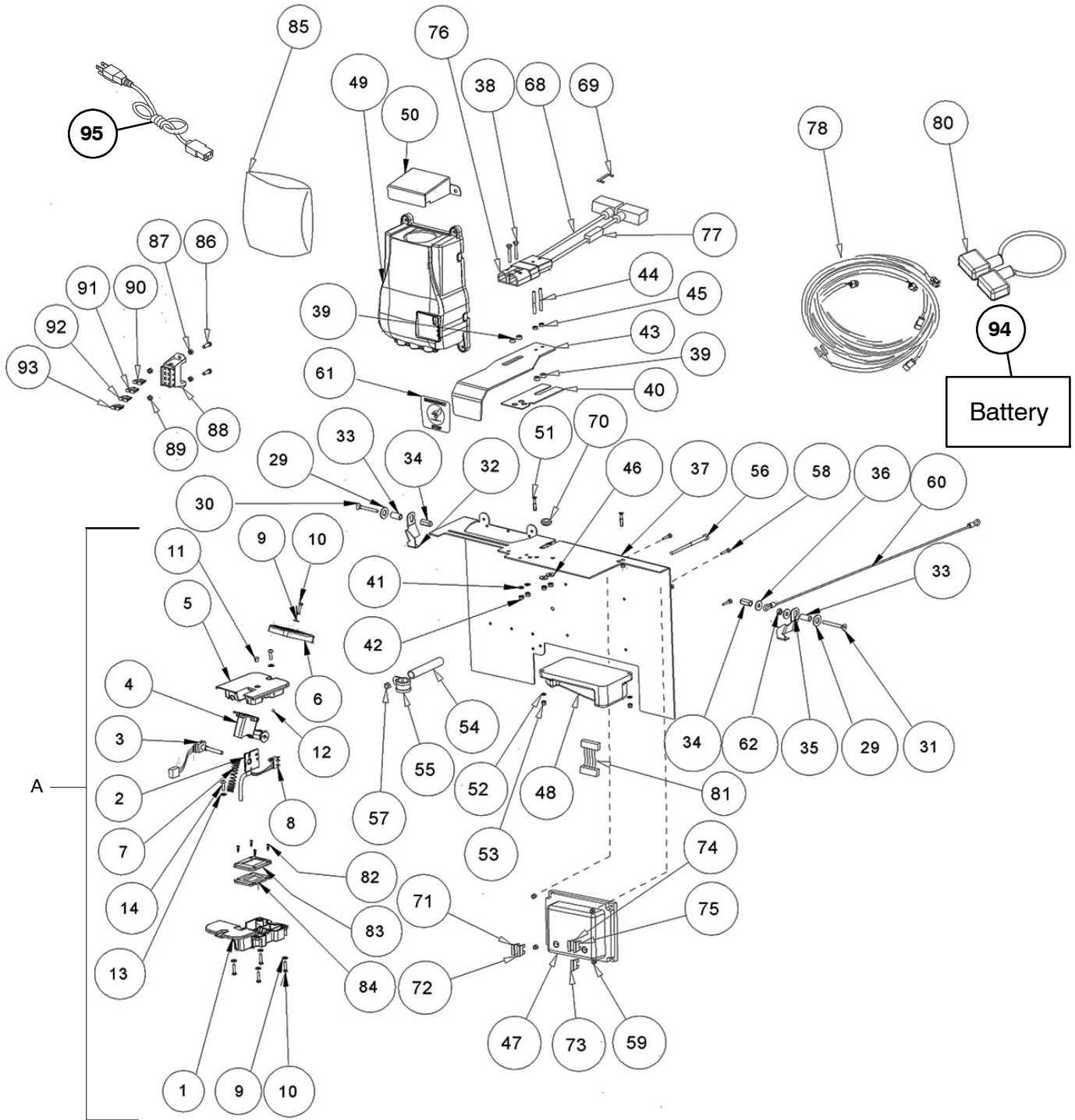


ELECTRICAL COMPONENT GROUP (55cm Single Disk Model) - Continued

Ref.	Part No.	Serial Number	Description	Qty.
71	9017819	(9021379- 00001) FUSE 100A NST.	1
72	MEVR00644	(9021379- 00001) FUSE, 30A	1
73	MEVR00644	(9021379- 00001) FUSE, 30A	1
74	MEVR00644	(9021379- 00001) FUSE, 30A	1
75	9017817	(9021379- 00001) FUSE, 5A	1
76	9017817	(9021379- 00001) FUSE, 5A	1
77	897511	(9021379- 00001) PLUG	1
78	897512	(9021379- 00001) FUSE, HOLDER	1
79	MECB02210	(9021379- 00001) HARNESS, MAIN [T581, EMEA]	1
81	897205	(9021379- 00001) WIRING BATTERY BRIDGE W/TERMINAL	1
82	897660	(9021379- 00001) WIRING DIODE FILTER	1
83	VTVT01594	(9021379- 00001) SCREW VITE TSPC 3x12	4
84	MPVR11928	(9021379- 00001) GASKET BRAKE PEDAL	1
85	MPVR11933	(9021379- 00001) GASKET, ACCELERATOR	1
86	MPVR02838	(9021379- 00001) BAG CHARGER POWER CORD	1
87	897145	(9021379- 00001) SCREW TE 5X16 UNI5739 INX	2
88	897497	(9021379- 00001) NUT, M5, INOX	2
89	MEVR02666	(9021379- 00001) FUSE CARRIER DIN	1
90	VTDD01693	(9021379- 00001) NUT, M5, INOX	2
91	MEVR01132	(9021379- 00001) FUSE, 5 AMP	1
92	MEVR01132	(9021379- 00001) FUSE, 5 AMP	1
93	MEVR00584	(9021379- 00001) FUSE 3A	1
94	MEVR00584	(9021379- 00001) FUSE 3A	1
95	994201	(9021379- 00001) BATTERY, GEL, 12VDC 105AH [GEL]	2
96	MECB00922	(9021379- 00001) CORD, POWER, CHARGER [EU]	1
96	1032820	(9021379- 00001) CORD, POWER, CHARGER [UK]	1
NS	MIVR00150	(9021379- 00001) SPACER, BATTERY, FOAM 40Wx480Lx160H	1
NS	MIVR00151	(9021379- 00001) SPACER, BATTERY, FOAM 140Wx340Lx160H	1

PARTS LIST

ELECTRICAL COMPONENT GROUP (70cm Dual Disk Model)

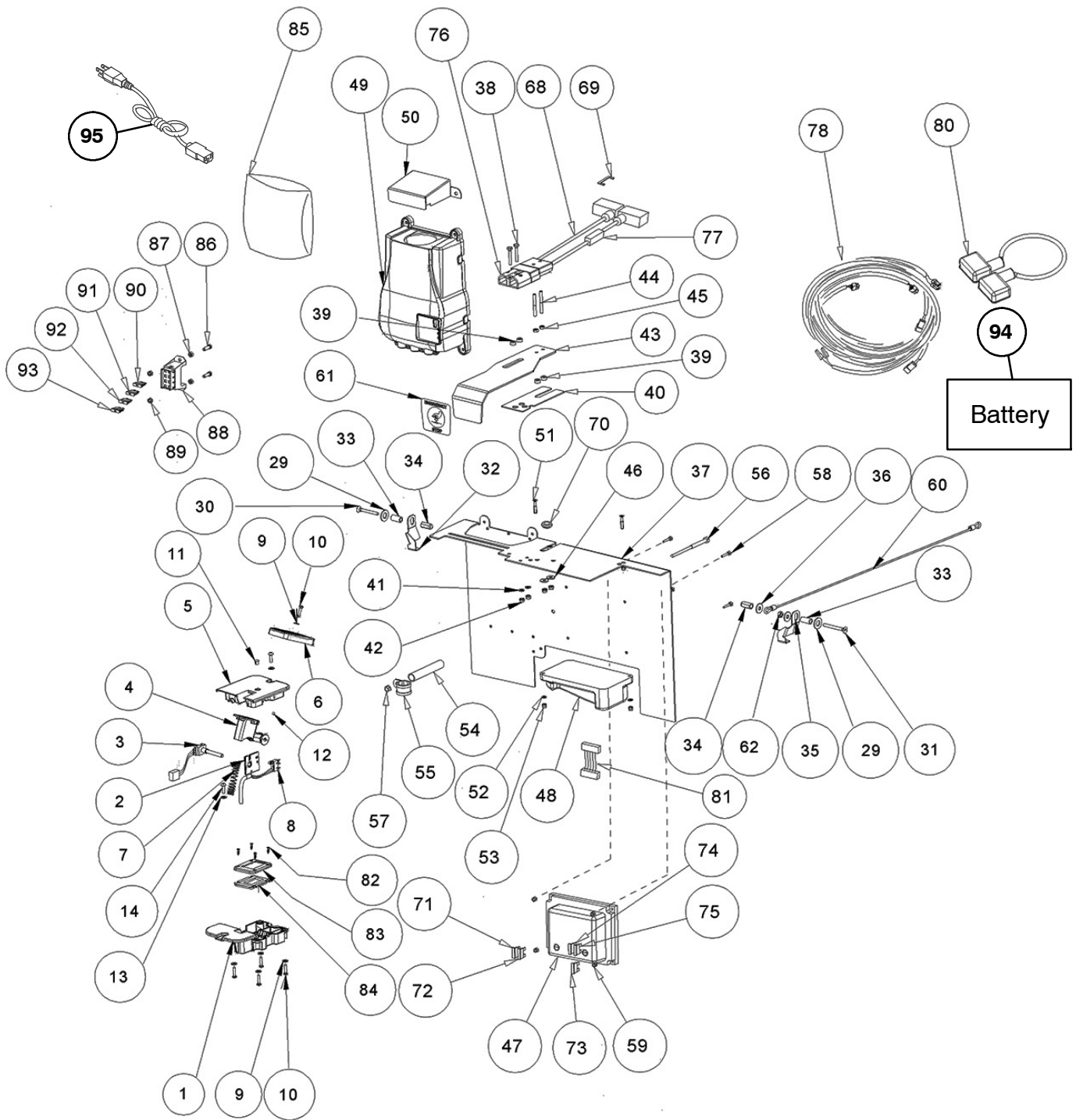


ELECTRICAL COMPONENT GROUP (70cm Dual Disk Model)

Ref.	Part No.	Serial Number	Description	Qty.
A	KTRI05250	(9021379- 00001) THROTTLE, PEDAL, KIT [Includes items 1- 14 & 82- 84]	1
1	MPVR11937	(9021380- 00001) BASE, ACCELERATOR	1
2	N/A	(9021380- 00001) PLATE	1
3	9017795	(9021380- 00001) SENSOR, POSITION, DRIVE	1
4	MPVR11940	(9021380- 00001) SUPPORT, ACCELERATOR	1
5	MPVR11938	(9021380- 00001) COVER, ACCELERATOR	1
6	MPVR11939	(9021380- 00001) PEDAL, ACCELERATOR	1
7	9017810	(9021380- 00001) SPRING, PEDAL	1
8	9017797	(9021380- 00001) SWITCH, ACCELERATOR	1
9	897166	(9021380- 00001) WASHER, D. 5, INOX	4
10	VTVT48694	(9021380- 00001) SCREW TCB TC 5 X12 UNI 9707 TZ	4
11	897474	(9021380- 00001) CAP D.6	1
12	897475	(9021380- 00001) GRUB, SCREW, M4X8	1
13	897166	(9021380- 00001) WASHER, D. 5, INOX	1
14	897476	(9021380- 00001) SCREW, M5X16, TBCE, ISO7380, ZB	1
29	897432	(9021380- 00001) WASHER, D. 10X21, UNI6592, INOX	2
30	897486	(9021380- 00001) SCREW M6X45 TSPEI UNI5933	1
31	897487	(9021380- 00001) SCREW, TSPEI, M6X50, UNI5933	1
32	897488	(9021380- 00001) BRACKET	1
33	897489	(9021380- 00001) SPACER	2
34	897490	(9021380- 00001) RIVET	2
35	897491	(9021380- 00001) BRACKET	1
36	897106	(9021380- 00001) WASHER D.6 UNI 6592 INOX	3
37	897659	(9021380- 00001) BRACKET, MTG, CIRCUITBOARD	1
38	897492	(9021380- 00001) SCREW, TE, M5X30, UNI5739	2
39	897493	(9021380- 00001) SPACER	4
40	897494	(9021380- 00001) PLATE	1
41	897166	(9021380- 00001) WASHER, D. 5, INOX	2
42	VTDD01693	(9021380- 00001) NUT, M5, INOX	2
43	897495	(9021380- 00001) LEVER	1
44	897496	(9021380- 00001) PIN	2
45	897497	(9021380- 00001) NUT, M5, INOX	2
46	897384	(9021380- 00001) WASHER D. 5X14 INX	2
47	897498	(9021380- 00001) BOARD POWER SERVICE	1
48	9017822	(9021380- 00001) CIRCUITBOARD, DRIVE	1
49	897553	(9021380- 00001) BATTERY, CHARGER, GANSOW, 24V, 25A	1
50	897554	(9021380- 00001) DISTRIBUTOR 60	1
51	897555	(9021380- 00001) SCREW, TSPEI, M4X25	2
52	897156	(9021380- 00001) WASHER D. 4 INX	2
53	897276	(9021380- 00001) NUT M 4 ATB A2	2
54	897503	(9021380- 00001) TUBE	1
55	897363	(9021380- 00001) FAIR, LEAD	1
56	897504	(9021380- 00001) SCREW TE M6X100 UNI5739	1
57	897138	(9021380- 00001) NUT M6 INOX	1
58	897195	(9021380- 00001) SCREW, TE, M4X16, UNI5739, INOX	4
59	897160	(9021380- 00001) NUT, M4, INOX, ZN	4
60	897505	(9021380- 00001) CABLE	1
61	897506	(9021380- 00001) LABEL	1
62	897250	(9021380- 00001) NUT, M6, UNI5589, INOX	1
68	897509	(9021380- 00001) CABLE BATTERY, ANDERSON+FUS.	1
69	9017819	(9021380- 00001) FUSE 100A NST.	1
70	897556	(9021380- 00001) FAIR, LEAD DIAMETER 15.5	1
71	MEVR00644	(9021380- 00001) FUSE, 30A	1
72	MEVR00644	(9021380- 00001) FUSE, 30A	1
73	MEVR00644	(9021380- 00001) FUSE, 30A	1
74	9017817	(9021380- 00001) FUSE, 5A	1
75	9017817	(9021380- 00001) FUSE, 5A	1
76	897511	(9021380- 00001) PLUG	1
77	897512	(9021380- 00001) FUSE, HOLDER	1
78	MECB02210	(9021380- 00001) HARNESS, MAIN [T581, EMEA]	1

PARTS LIST

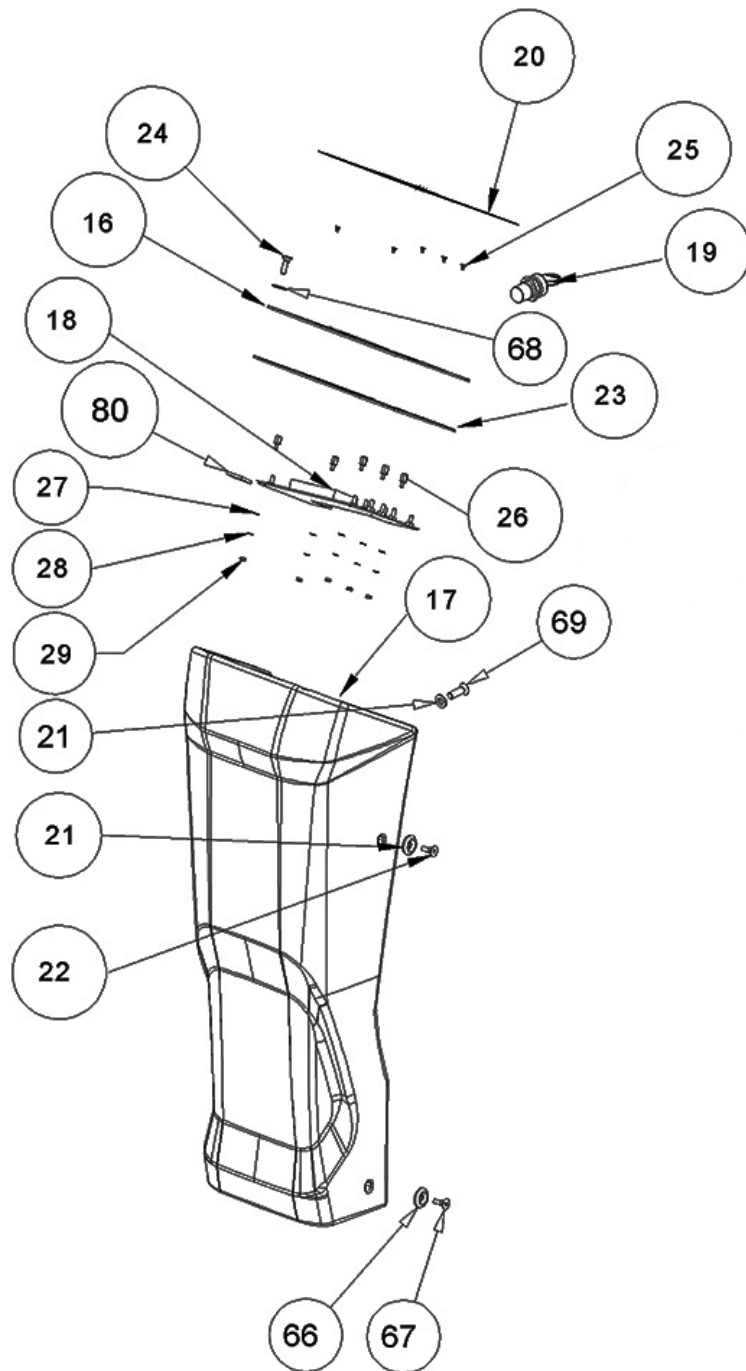
ELECTRICAL COMPONENT GROUP (70cm Dual Disk Model) - Continued



ELECTRICAL COMPONENT GROUP (70cm Dual Disk Model) - Continued

Ref.	Part No.	Serial Number	Description	Qty.
80	897205	(9021380-00001) WIRING BATTERY BRIDGE W/TERMINAL	3
81	897557	(9021380-00001) WIRING	1
82	VTVT01594	(9021380-00001) SCREW VITE TSPC 3x12	4
83	MPVR11928	(9021380-00001) GASKET BRAKE PEDAL	1
84	MPVR11933	(9021380-00001) GASKET ACCELERATOR	1
85	MPVR02838	(9021380-00001) BAG, CHARGER POWER CORD	1
86	897145	(9021380-00001) SCREW TE 5X16 UNI5739 INX	2
87	897497	(9021380-00001) NUT, M5, INOX	2
88	MEVR02666	(9021380-00001) FUSE CARRIER DIN	1
89	VTDD01693	(9021380-00001) NUT, M5, INOX	2
90	MEVR01132	(9021380-00001) FUSE, 5 AMP	1
91	MEVR01132	(9021379-00001) FUSE, 5 AMP	1
92	MEVR00584	(9021379-00001) FUSE 3A	1
93	MEVR00584	(9021379-00001) FUSE 3A	1
94	994203	(9021379-00001) BATTERY, GEL, 6VDC 180AH [GEL]	4
95	MECB00922	(9021379-00001) CORD, POWER, CHARGER [EU]	1
95	1032820	(9021379-00001) CORD, POWER, CHARGER [UK]	1

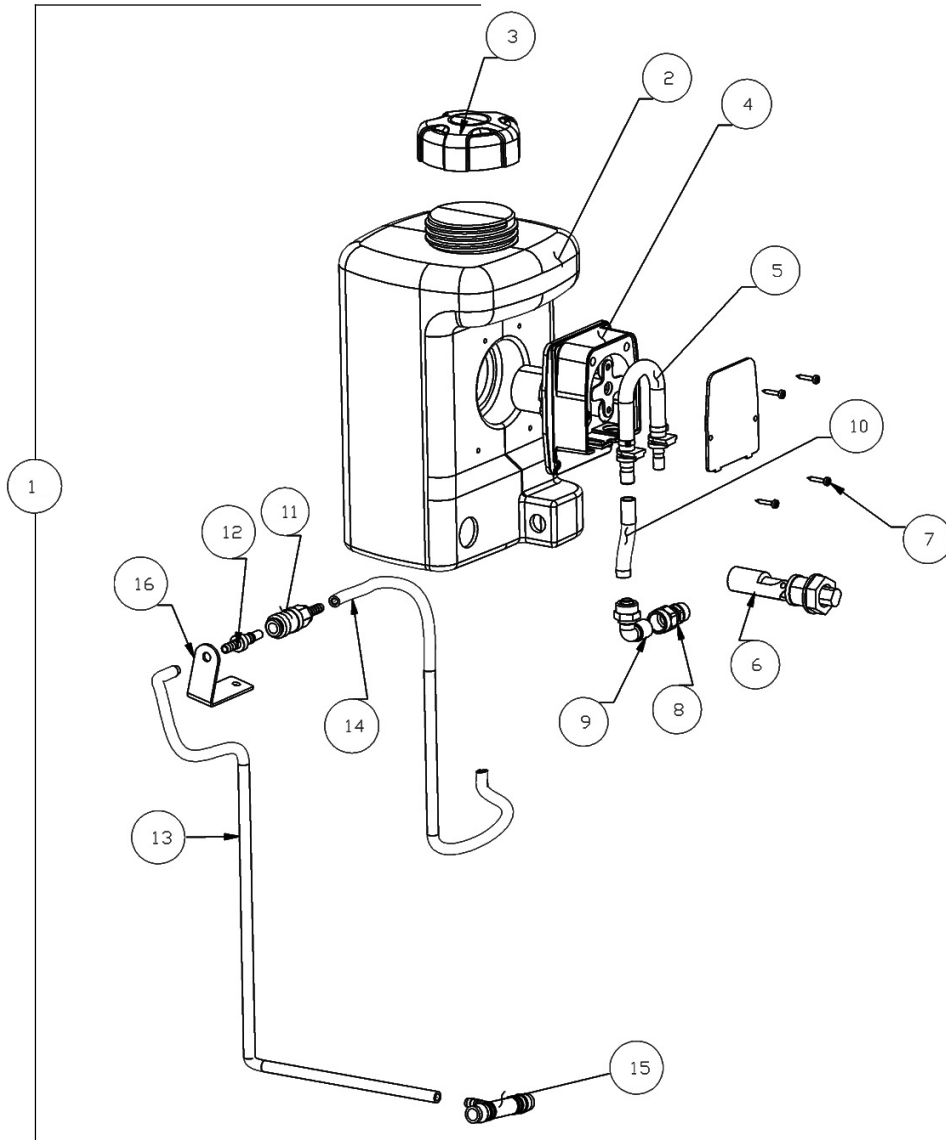
CONTROL CONSOLE GROUP



CONTROL CONSOLE GROUP

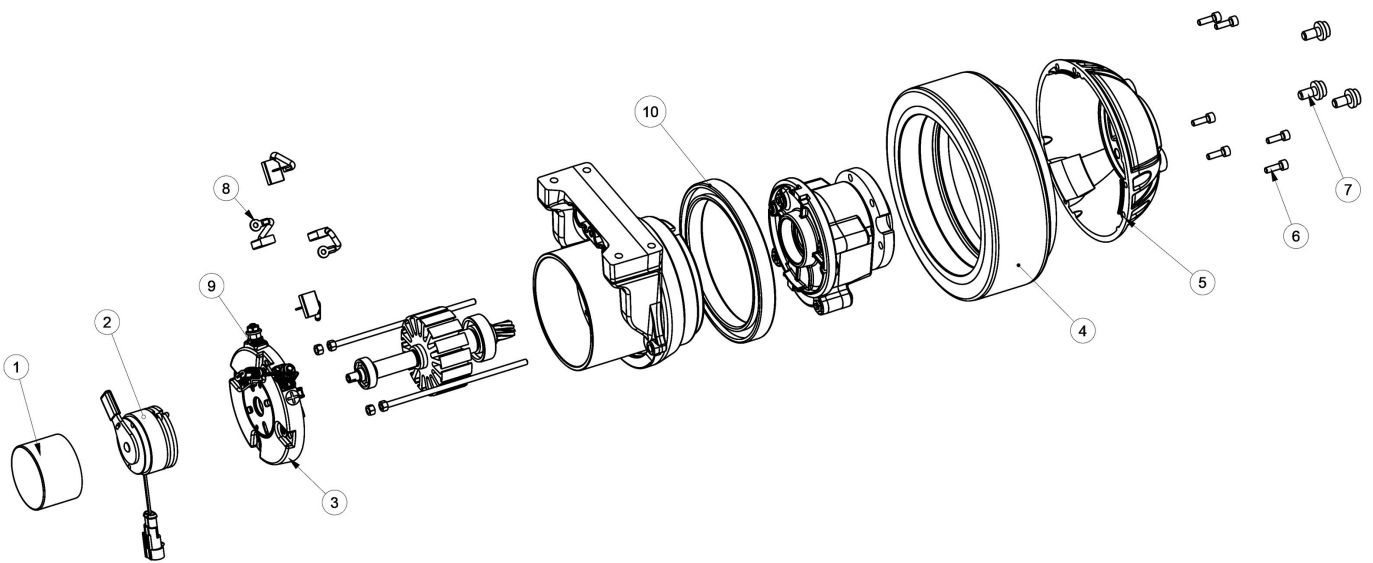
Ref.	Part No.	Serial Number	Description	Qty.
16	897477	(90213xx- 00001) PLATE	1
17	MPVR12902	(90213xx- 00001) FRONT, COVER	1
18	9017823	(90213xx- 00001) CIRCUITBOARD, DISPLAY PANL	1
19	1017696	(90213xx- 00001) KEY SET, REPLMT [F/ KEYSWITCH 1011402]	1
20	897479	(90213xx- 00001) LABEL, DISPLAY	1
21	897480	(90213xx- 00001) UND.SCREW FLAN. D. 6.5, 22 H4.5 NYL.NERO	4
22	VTVT00869	(90213xx- 00001) SCREW TSPEI M.6- 60 INOX A2	2
23	897482	(90213xx- 00001) GASKET	1
24	897483	(90213xx- 00001) SCREW, TSPEI, M5X20, UNI5933, INOX	4
25	897484	(90213xx- 00001) SCREW TSP, TC M3X5 UNI7688 INOX	5
26	897485	(90213xx- 00001) SPACER M3	5
28	897193	(90213xx- 00001) WASHER, D. 3, INOX	5
29	9018496	(90213xx- 00001) NUT M 3 AUTOBL.DIN 985 IX.A2	5
66	897480	(90213xx- 00001) UND.SCREW FLAN. D. 6.5, 22 H4.5 NYL.NERO	2
67	897507	(90213xx- 00001) SCREW, TSPEI, M6X35, UNI5933	2
68	897508	(90213xx- 00001) WASHER, M5,3x14,5x3,2	4
69	897277	(90213xx- 00001) SCREW, TSPEI, M6X20, UNI5933	2
80	897514	(90213xx- 00001) CARD, SD	1

CHEM DOSE GROUP



Ref.	Part No.	Serial Number	Description	Qty.
1	KTRI02232	(90213xx- 00001) KIT, CHEM DOSE	1
2	MPVR06124	(90213xx- 00001) TANK	1
3	MPVR40187	(90213xx- 00001) TANK CAP	1
4	PPBP00066	(90213xx- 00001) PUMP, DETGT	1
5	TBFX00370	(90213xx- 00001) TUBE	1
6	9017737	(90213xx- 00001) FLOAT, SHUTOFF	1
7	VTVT01210	(90213xx- 00001) SCREW TCB 3,5X16	4
8	RCVR01723	(90213xx- 00001) FITTING, STR, DETGT	1
9	RCVR00009	(90213xx- 00001) FITTING, E90, DETGT	1
10	TBBP00135	(90213xx- 00001) HOSE	0,06
11	RCIN35828	(90213xx- 00001) FITTING, STL, STR	1
12	RCIN38912	(90213xx- 00001) FITTING, STL, STR	1
13	TBBP00476	(90213xx- 00001) HOSE	0,12
14	TBBP00476	(90213xx- 00001) HOSE	0,70
15	RCVR00745	(90213xx- 00001) FITTING, TEE, DETGT	1
16	LAFN08160	(90213xx- 00001) SUPPORT	1

DRIVE MOTOR BREAKDOWN

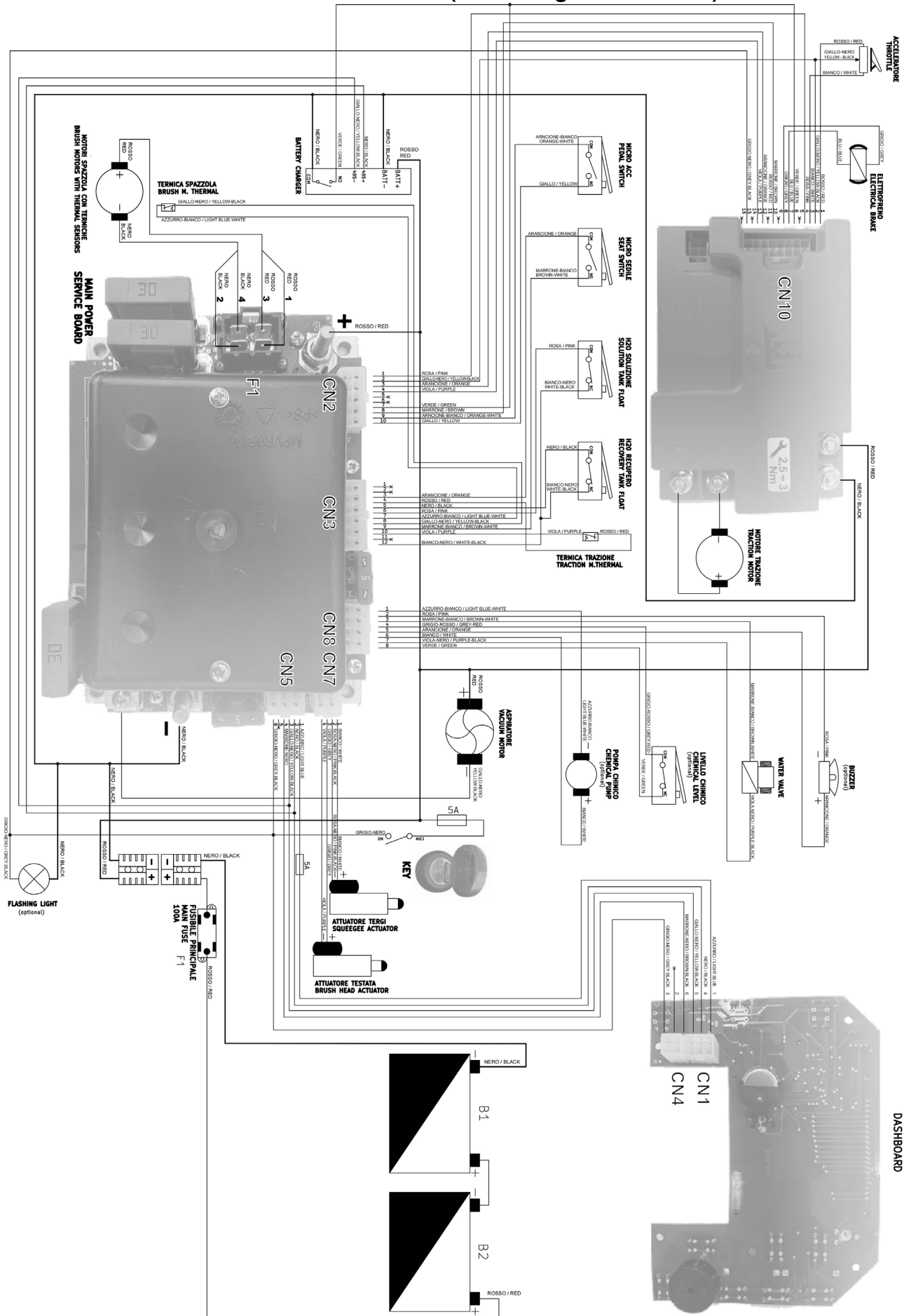


Ref.	Part No.	Serial Number	Description	Qty.
▽	9017807	(90213xx- 00001) DRIVE ASSY, WHEEL	1
▲ 1	897365	(90213xx- 00001) COVER, BRAKE ASSY	1
▲ 2	9017808	(90213xx- 00001) BRAKE ASSY, W/LEVER, COMPLT	1
▲ 3	897366	(90213xx- 00001) RING, BRUSHHOLDER	1
▲ 4	9017800	(90213xx- 00001) TIRE, SOLID, PYU	1
▲ 5	897367	(90213xx- 00001) COVER, ALM	1
▲ 8	9017784	(90213xx- 00001) BRUSH, MOTOR, TRANSAXLE	4
▲ 9	897368	(90213xx- 00001) SENSOR, THERMAL	1
▲10	897369	(90213xx- 00001) BEARING, TRACTION, MOTOR	1

▽ KIT

▲ INCLUDED IN KIT

ELECTRICAL DIAGRAM (55cm Single Disk Model)



ELECTRICAL DIAGRAM (70cm Dual Disk Model)

